



PARTS CATALOGUE

YZ85P**(5PA1) USA,CANADA****YZ85****(5PA1) EUROPE,SOUTH AFRICA****YZ85****(5PA3) JAPAN****YZ85LW****(5SH1) EUROPE****YZ85LW****(5SH3) JAPAN****YAMAHA**
GENUINE
Parts & Accessories

2A5PA-100E1

2008-8-28

NEWS NO.	DATE	COMMENT
PE0-MC-070077	Oct.,19,2007	MOD:FIG.11 CLUTCH LIST REVISION
PE0-MC-080010	Mar.,2,2008	MOD:YZ85/LW(5PA*/5SH*) FIG.6 LIST/ILLUSTRATION CORRECTION

YZ85P/YZ85/YZ85LW
PARTS CATALOGUE
©2001 by Yamaha Motor Co., Ltd.
1st Edition, May 2001
All rights reserved.
Any reprinting or unauthorized use
without the written permission of
Yamaha Motor Co., Ltd.
is expressly prohibited.

A3



A4

FOREWORD

This Parts Catalogue is related to the parts for the model(s) in the below frame. When you are ordering replacement parts, please refer to this Parts Catalogue and quote both part numbers and part names correctly.

YZ85P(5PA1), YZ85(5PA1/5PA3), YZ85LW(5SH1/5SH3)

1. Modifications or additions which have been made after issue of the Parts Catalogue will be announced in the Yamaha Parts News. It is advisable that you make necessary corrections to the Parts Catalogue according to the Yamaha Parts News.

2. Abbreviations
The Following abbreviations are used in this Parts Catalogue.

- “UR” Use specified parts number.
- “UN” Use as many as needed.
- “AP” Alternate Parts
- “LM” Local Made (Parts need to be ordered locally)
- “F#” Frame No. (Applicable machine No.)

3. Parts, which are to be supplied in an assembly, are listed with a dot(.) in front of the part name as shown below.

EXAMPLE

- CARBURETOR ASSY
- .JET, PILOT
- .NOZZLE, MAIN

4. Number of component for assembly
The numeral appearing to the right of each component part indicates the quantity of parts for each assembly unit.

EXAMPLE

PART NO.	DESCRIPTION	Q'TY	REMARKS
2F5-83310-60	FRONT FLASHER LIGHT ASSY	2	
115-83311-60	.BULB (6V-18W)	1	
1M1-83309-60	.REFLECTOR	1	

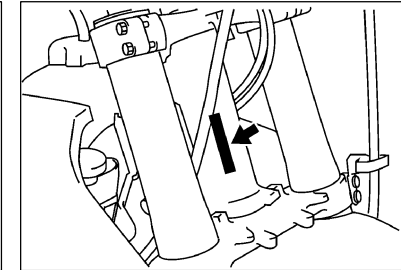
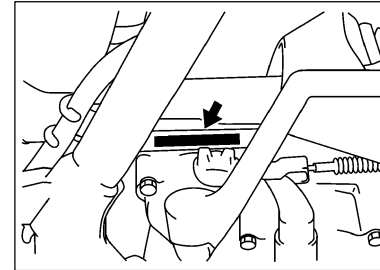
5. Applicable colors of graphics are represented in the “REMARKS” as shown below.

PART NO.	DESCRIPTION	Q'TY	REMARKS
2N4-24110-00-X5	FUEL TANK COMP.	1	MXR
3J1-24240-10	.GRAPHIC, FUEL TANK	1	FOR MXR

6. Applicable Serial No.

Engine Serial No.

Frame Serial No.

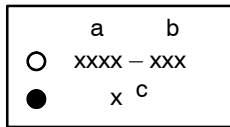


7. Note that the illustrations for reference in finding parts numbers, not to be used for assembling. When assembling, please use the applicable service manual.
8. The asterisk (*) before a reference number indicates modification items after the first edition.

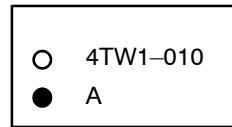
MODEL LABEL

(1) A label called "Model Label" is affixed in the location as indicated in (3) below.
When using this parts catalogue, please be sure to cross-refer the "model code – production code No." in the catalogue to the "model code – production code No." indicated on the Model Label affixed onto the product concerned.

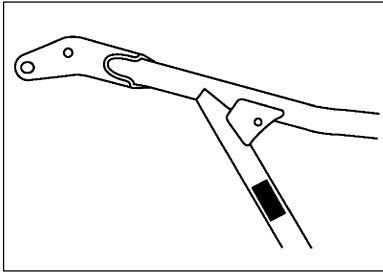
(2) "Model Label" Indication



a: Model Type Code
b: Production Code No.
c: Colouring Type



(3) Model Label Affixing Location



(4) Model Code – Production Code Number of Model Listed in This Parts Catalog

Model Code	Production Code No.	Country (destination)	Model Code	Production Code No.	Country (destination)
5PA1	010	USA	5SH1	070	SWEDEN
	020	CANADA	5SH3	010	JAPAN
	030	GERMANY			
	040	SPAIN			
	050	FRANCE			
	060	ENGLAND			
	070	ITALY			
	090	SWEDEN			
100	SOUTH AFRICA				
5PA3	010	JAPAN			
5SH1	020	GERMANY			
	030	SPAIN			
	040	FRANCE			
	050	ENGLAND			
	060	ITALY			

(5) Colouring Information

Model Code	Colouring type code	Colour code	Colour Name	Abbreviation
5PA1 5PA3 5SH1 5SH3	A	0583	DEEP PURPLISH BLUE SOLID E	DPBSE

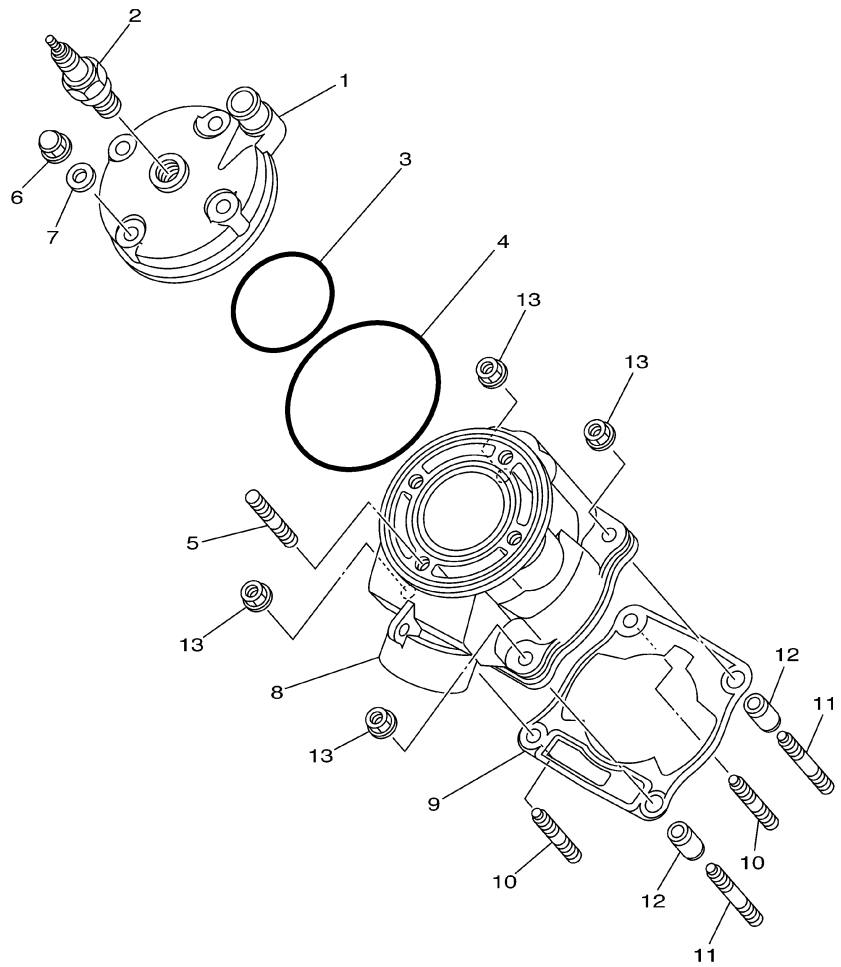


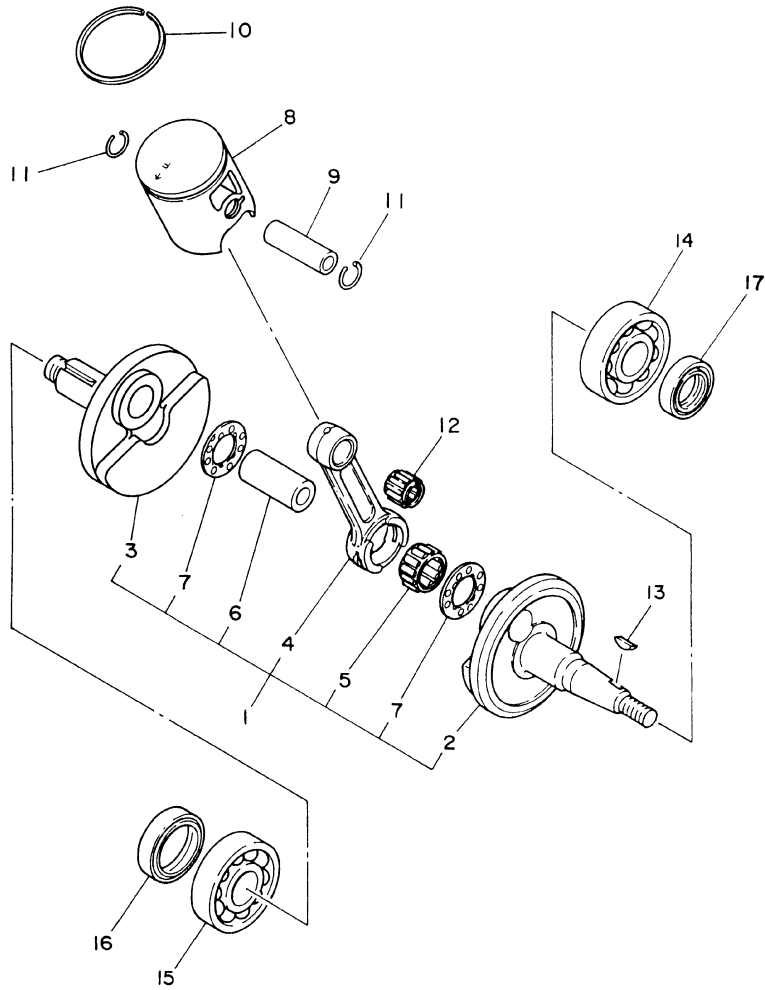
FIG. 1 CYLINDER

REF. NO.	PART NO.	DESCRIPTION	5PA1	5PA3	5SH1	5SH3	REMARKS
1	5PA-11111-00	HEAD, CYLINDER 1	1	1	1	1	
2	94702-00368	PLUG, SPARK (NGK BR10EG)	1		1		
	94709-00368	PLUG, SPARK (NGK BR10EG)		1		1	
3	93210-56459	O-RING	1	1	1	1	
4	93210-84724	O-RING	1	1	1	1	
5	90116-08394	BOLT, STUD	4	4	4	4	
6	90176-08026	NUT, CROWN	4	4	4	4	
7	90201-080L8	WASHER, PLATE	4	4	4	4	
8	5PA-11311-00	CYLINDER 1	1	1	1	1	
9	4ES-11351-00	GASKET, CYLINDER	1	1	1	1	
10	90116-08318	BOLT, STUD	2	2	2	2	
11	90116-08388	BOLT, STUD	2	2	2	2	
12	99590-10114	PIN, DOWEL	2	2	2	2	
13	90179-08299	NUT	4	4	4	4	



5PA1100-A010

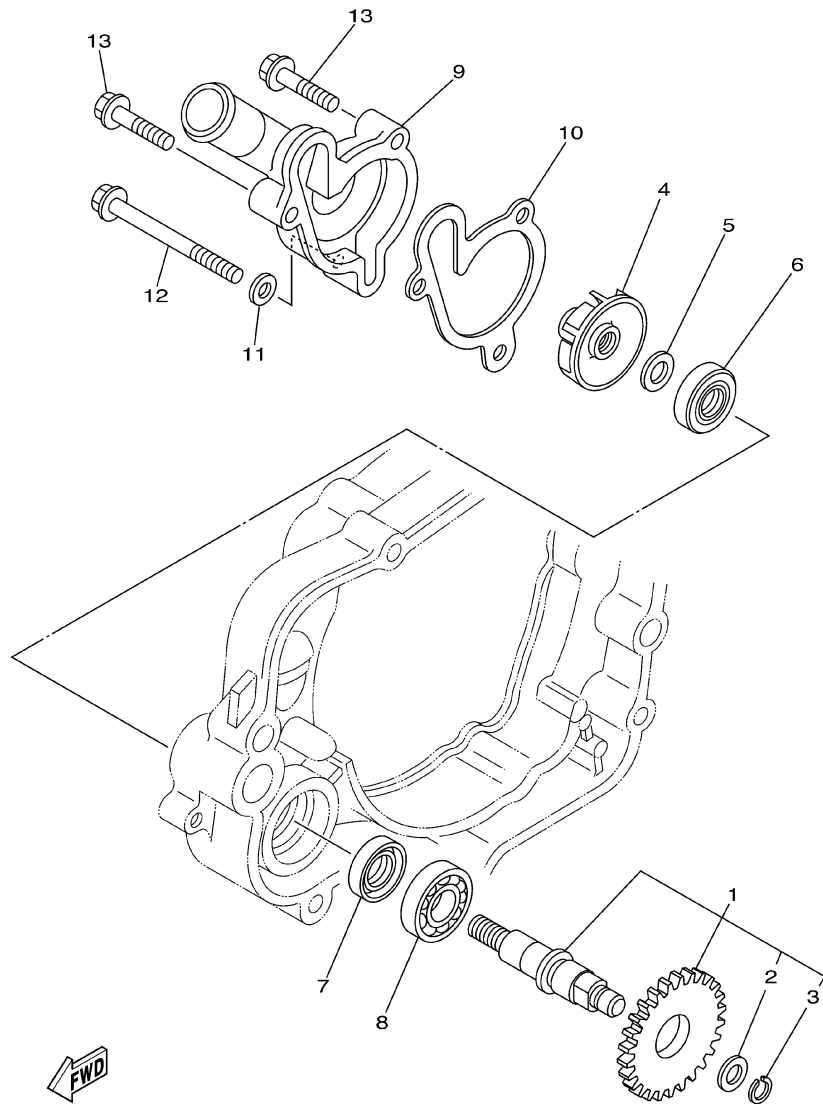
FIG. 2 CRANKSHAFT. PISTON



4ES1100-3020

REF. NO.	PART NO.	DESCRIPTION	5PA1	5PA3	5SH1	5SH3	REMARKS
1	5PA-11400-00	CRANKSHAFT ASSY	1	1	1	1	
2	5PA-11412-00	.CRANK 1	1	1	1	1	
3	5PA-11422-00	.CRANK 2	1	1	1	1	
4	4ES-11651-10	.ROD, CONNECTING	1	1	1	1	
5	93310-420B1	.BEARING	1	1	1	1	
6	2RA-11681-00	.PIN, CRANK 1	1	1	1	1	
7	90209-20159	.WASHER	2	2	2	2	
8	5PA-11631-00-A0	PISTON (STD)	1	1	1	1	UR RED
	5PA-11631-00-B0	PISTON (STD)	1	1	1	1	UR ORANGE
	5PA-11631-00-C0	PISTON (STD)	1	1	1	1	UR GREEN
	5PA-11631-00-D0	PISTON (STD)	1	1	1	1	UR PURPLE
9	4ES-11633-00	PIN, PISTON	1	1	1	1	
10	5PA-11611-00	RING, PISTON	1	1	1	1	
11	93450-16115	CIRCLIP	2	2	2	2	
12	93310-21417	BEARING	1	1	1	1	
13	90280-03017	KEY, WOODRUFF	1	1	1	1	
14	93306-20438	BEARING	1	1	1	1	
15	93306-30421	BEARING (B6304C3)	1	1	1	1	
16	93102-28009	OIL SEAL	1	1	1	1	
17	93102-20447	OIL SEAL	1	1	1	1	

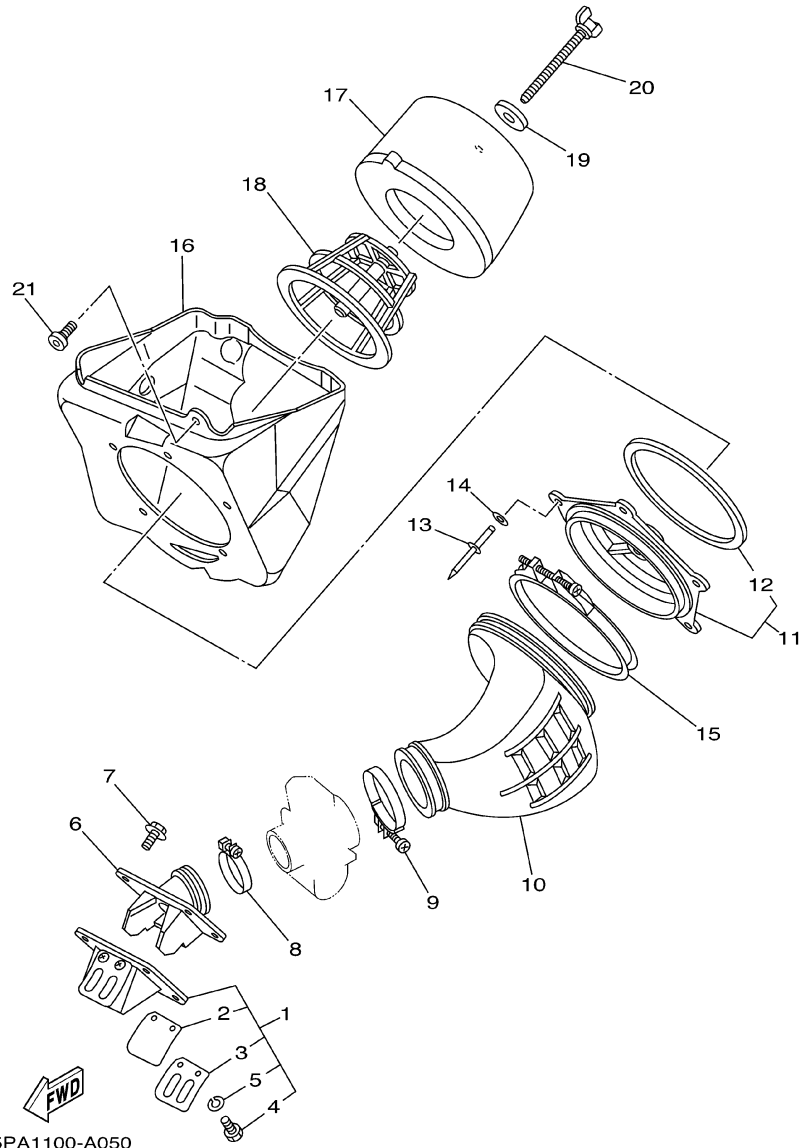
FIG. 3 WATER PUMP



5PA1100-A030

REF. NO.	PART NO.	DESCRIPTION	5PA1	5PA3	5SH1	5SH3	REMARKS
1	5PA-12459-00	GEAR, IMPELLER SHAFT	1	1	1	1	
2	90201-08512	.WASHER, PLATE	1	1	1	1	
3	93440-07182	.CIRCLIP	1	1	1	1	
4	5PA-12451-00	IMPELLER, WATER PUMP	1	1	1	1	
5	90201-08512	WASHER, PLATE	1	1	1	1	
6	93109-11073	OIL SEAL	1	1	1	1	
7	93102-12106	OIL SEAL (SD 12-22-5 HS)	1	1	1	1	
8	93306-00105	BEARING (B6001)	1	1	1	1	
9	4BA-12422-00	COVER, HOUSING	1	1	1	1	
10	4BA-12428-00	GASKET, HOUSING COVER 2	1	1	1	1	
11	90430-06166	GASKET	1	1	1	1	
12	95827-06060	BOLT, FLANGE	1	1	1	1	
13	95027-06025	BOLT, FLANGE	2	2	2	2	

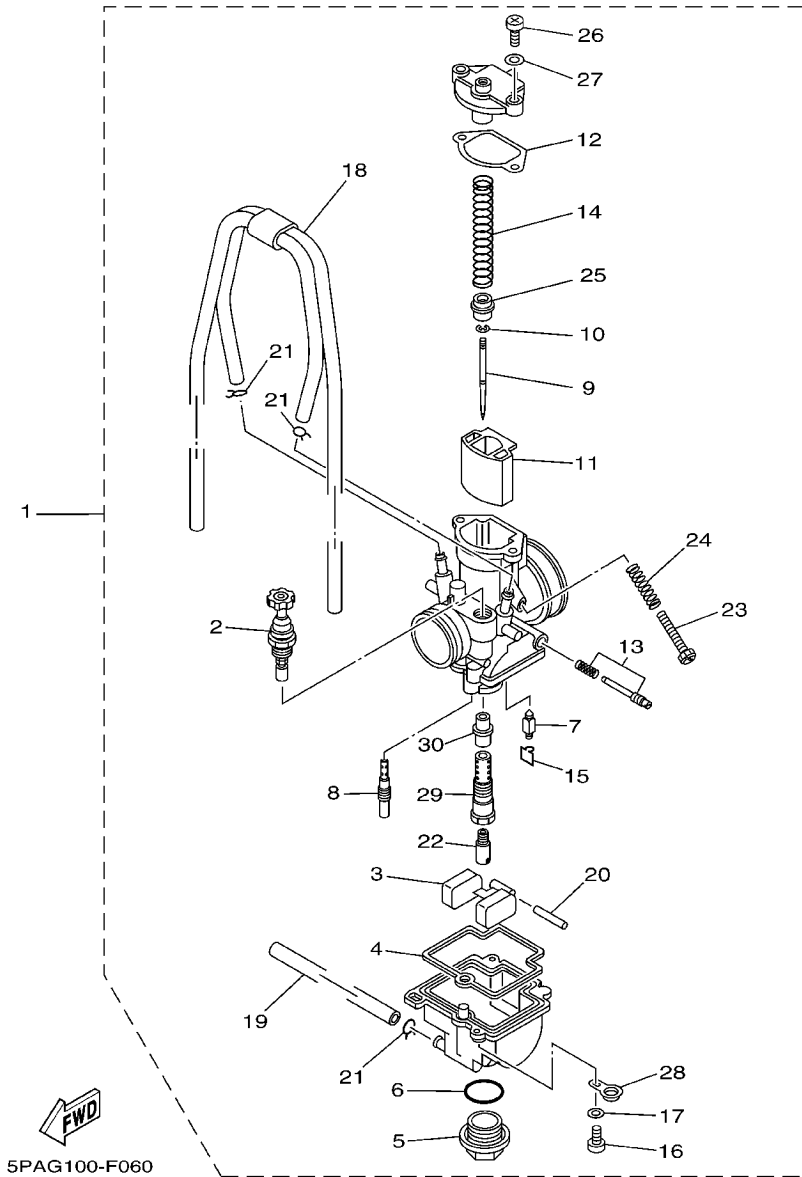
FIG. 5 INTAKE



5PA1100-A050

REF. NO.	PART NO.	DESCRIPTION					REMARKS
			5PA1	5PA3	5SH1	5SH3	
1	4ES-13610-00	REED VALVE ASSY	1	1	1	1	
2	4ES-13613-00	.REED, VALVE	2	2	2	2	
3	4ES-13616-00	.STOPPER, REED VALVE	2	2	2	2	
4	98507-03008	.SCREW, PAN HEAD	4	4	4	4	
5	92907-03100	.WASHER	4	4	4	4	
6	5PA-13565-00	JOINT, CARBURETOR	1	1	1	1	
7	95027-06020	BOLT, FLANGE	4	4	4	4	
8	90460-41191	CLAMP, HOSE	1	1	1	1	
9	90460-56105	CLAMP, HOSE	1	1	1	1	
10	5PA-14453-00	JOINT, AIR CLEANER 1	1	1	1	1	
11	5PA-14459-00	HOLDER, GUIDE	1	1	1	1	
12	4ES-14462-00	.SEAL	1	1	1	1	
13	90267-48138	RIVET, BLIND	5	5	5	5	
14	90201-043H7	WASHER, PLATE	5	5	5	5	
15	90450-99064	HOSE CLAMP ASSY	1	1	1	1	
16	5PA-14411-00	CASE, AIR CLEANER 1	1	1	1	1	
17	5PA-14451-00	ELEMENT, AIR CLEANER	1	1	1	1	
18	5PA-14458-00	GUIDE	1	1	1	1	
19	90209-06096	WASHER	1	1	1	1	
20	90122-06002	BOLT, WING	1	1	1	1	
21	90109-065F3	BOLT	1	1	1	1	

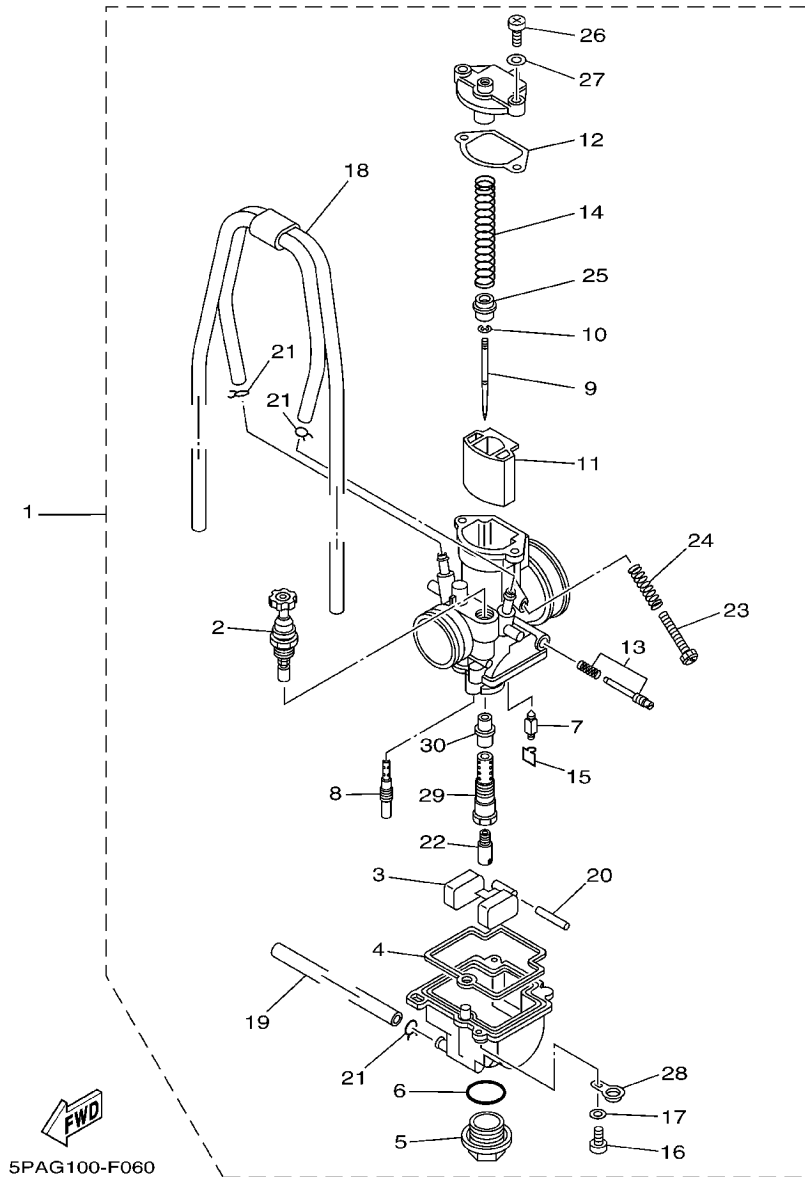
FIG. 6 CARBURETOR



5PAG100-F060

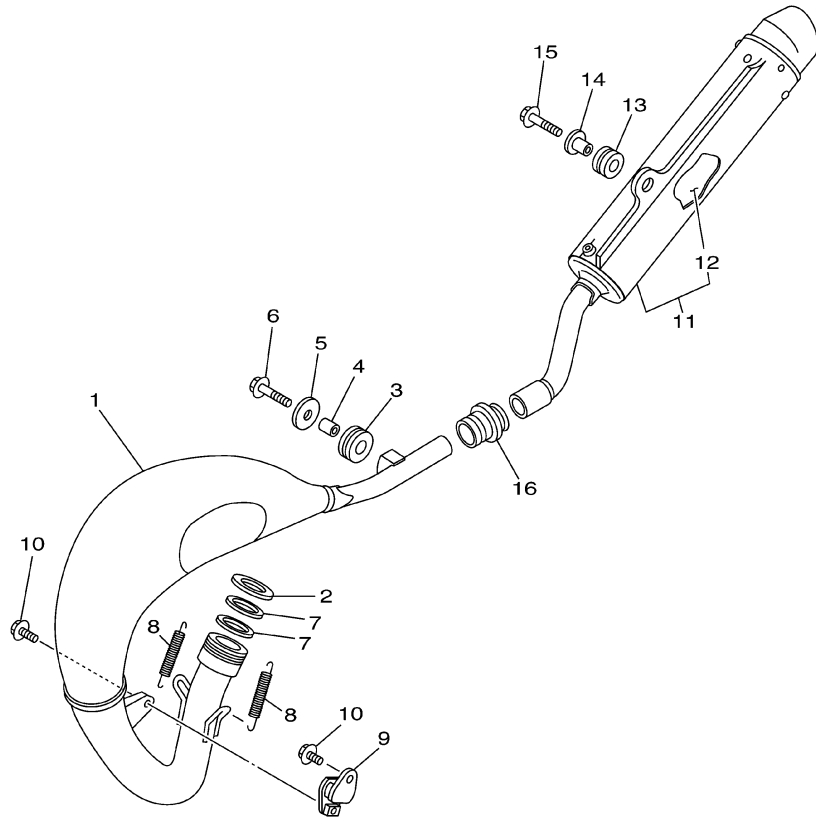
REF. NO.	PART NO.	DESCRIPTION	5PA1	5PA3	5SH1	5SH3	REMARKS
1	5PA-14101-00	CARBURETOR ASSY 1	1	1	1	1	
2	4JT-14171-00	.PLUNGER, STARTER	1	1	1	1	
3	5PA-14985-00	.FLOAT	1	1	1	1	
4	5PA-14984-00	.GASKET, FLOAT CHAMBER	1	1	1	1	
5	4MX-14115-00	.PLUG, SCREW	1	1	1	1	
6	4MX-14561-00	.O-RING	1	1	1	1	
7	5PA-14392-00	.VALVE, NEEDLE	1	1	1	1	
8	4MX-14948-05	.JET, SLOW (#45)	1	1	1	1	STD
	4MX-14948-04	.JET, SLOW (#42)	1	1	1	1	AP
	4MX-14948-06	.JET, SLOW (#48)	1	1	1	1	AP
9	5PA-14916-KF	.NEEDLE (NBKF)	1	1	1	1	STD
	5PA-14916-LE	.NEEDLE (NBLE)	1	1	1	1	AP
	5PA-14916-LF	.NEEDLE (NBLF)	1	1	1	1	AP
	5PA-14916-LG	.NEEDLE (NBLG)	1	1	1	1	AP
	5PA-14916-KE	.NEEDLE (NBKE)	1	1	1	1	AP
	5PA-14916-KG	.NEEDLE (NBKG)	1	1	1	1	AP
10	4MX-14919-00	.CLIP	1	1	1	1	
11	5PA-14340-00	.VALVE ASSY	1	1	1	1	
12	5PA-14126-00	.GASKET	1	1	1	1	
13	5PA-14105-00	.PILOT SCREW SET	1	1	1	1	
14	5PA-14131-00	.SPRING, THROTTLE VALVE	1	1	1	1	
15	5PA-14159-00	.CLIP	1	1	1	1	
16	98504-04014	.SCREW, PAN HEAD	2	2	2	2	
17	92903-04600	.WASHER	2	2	2	2	
18	5PA-1410E-00	.HOSE	1	1	1	1	
19	4XL-14197-10	.PIPE	1	1	1	1	
20	676-14548-00	.PIN, FLOAT ARM	1	1	1	1	

FIG. 6 CARBURETOR



REF. NO.	PART NO.	DESCRIPTION	5PA1	5PA3	5SH1	5SH3	REMARKS
21	3TJ-14137-40	.CLIP	3	3	3	3	
22	4MX-14943-85	.JET, MAIN (#138)	1	1	1	1	STD
	4MX-14943-84	.JET, MAIN (#132)	1	1	1	1	AP
	4MX-14943-34	.JET, MAIN (#135)	1	1	1	1	AP
	4MX-14943-35	.JET, MAIN (#140)	1	1	1	1	AP
	4MX-14943-86	.JET, MAIN (#142)	1	1	1	1	AP
	4MX-14943-36	.JET, MAIN (#145)	1	1	1	1	AP
	4MX-14943-87	.JET, MAIN (#148)	1	1	1	1	AP
23	5HC-14922-00	.SCREW, THROTTLE	1	1	1	1	
24	5HC-14934-00	.SPRING, THROTTLE STOP	1	1	1	1	
25	5PA-14194-00	.RING	1	1	1	1	
26	98504-04012	.SCREW, PAN HEAD	2	2	2	2	
27	92903-04600	.WASHER	2	2	2	2	
28	5PA-14146-00	.PLATE	1	1	1	1	
29	5PA-1496A-00	.HOLDER, NEEDLE JET	1	1	1	1	
30	5PA-14947-00	.JET, NEEDLE	1	1	1	1	

FIG. 7 EXHAUST

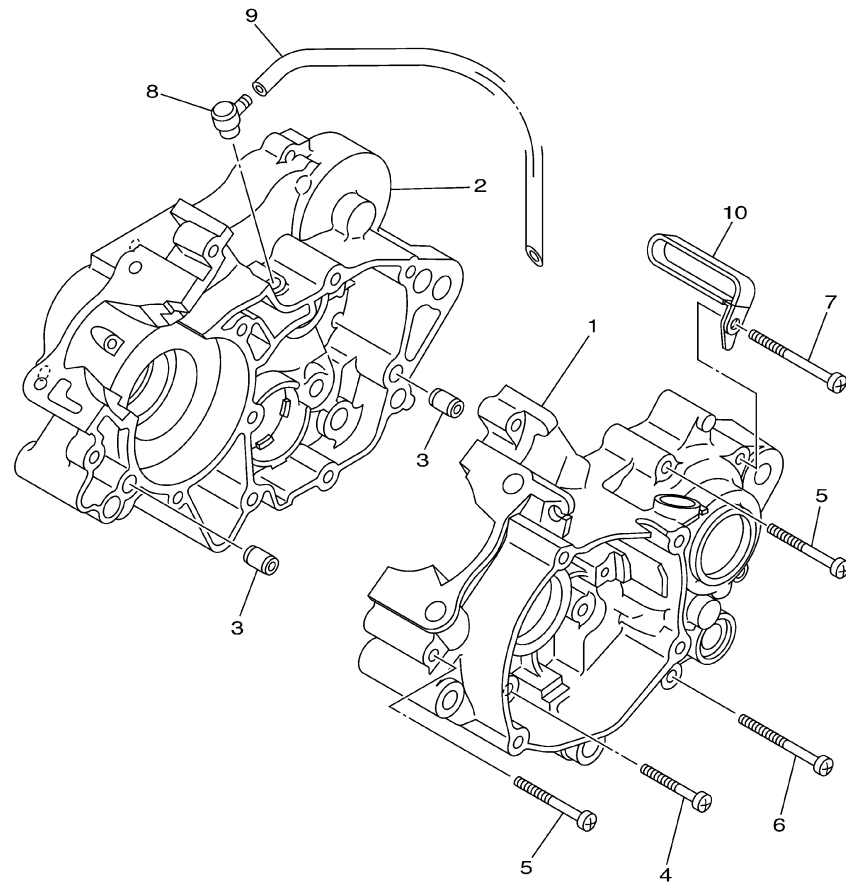


REF. NO.	PART NO.	DESCRIPTION	5PA1	5PA3	5SH1	5SH3	REMARKS
1	5PA-14610-00	EXHAUST PIPE ASSY 1	1	1	1	1	
2	90201-33299	WASHER, PLATE	1	1	1	1	
3	90480-18411	GROMMET	1	1	1	1	
4	90387-105L0	COLLAR	1	1	1	1	
5	90201-060A3	WASHER, PLATE	1	1	1	1	
6	95027-06025	BOLT, FLANGE	1	1	1	1	
7	5PA-14642-00	SEAL, EXHAUST	2	2	2	2	
8	90507-20052	SPRING, TENSION	2	2	2	2	
9	565-14771-00	STAY, MUFFLER 1	1	1	1	1	
10	95027-06012	BOLT, FLANGE	2	2	2	2	
11	4ES-14753-20	SILENCER, EXHAUST	1	1		1	UR FOR USA,CAN, ZAF,JPN
	5PA-14753-00	SILENCER, EXHAUST	1		1		UR FOR EUR
12	4ES-1469A-00	.FIBER	1	1		1	UR FOR USA,CAN, ZAF,JPN
	5PA-1469A-00	.FIBER	1		1		UR FOR EUR
13	90480-16561	GROMMET	1	1	1	1	
14	90387-063G3	COLLAR	1	1	1	1	
15	95027-06025	BOLT, FLANGE	1	1	1	1	
16	17W-14615-00	JOINT, EXHAUST 1	1	1	1	1	



5PA1100-A070

FIG. 8 CRANKCASE

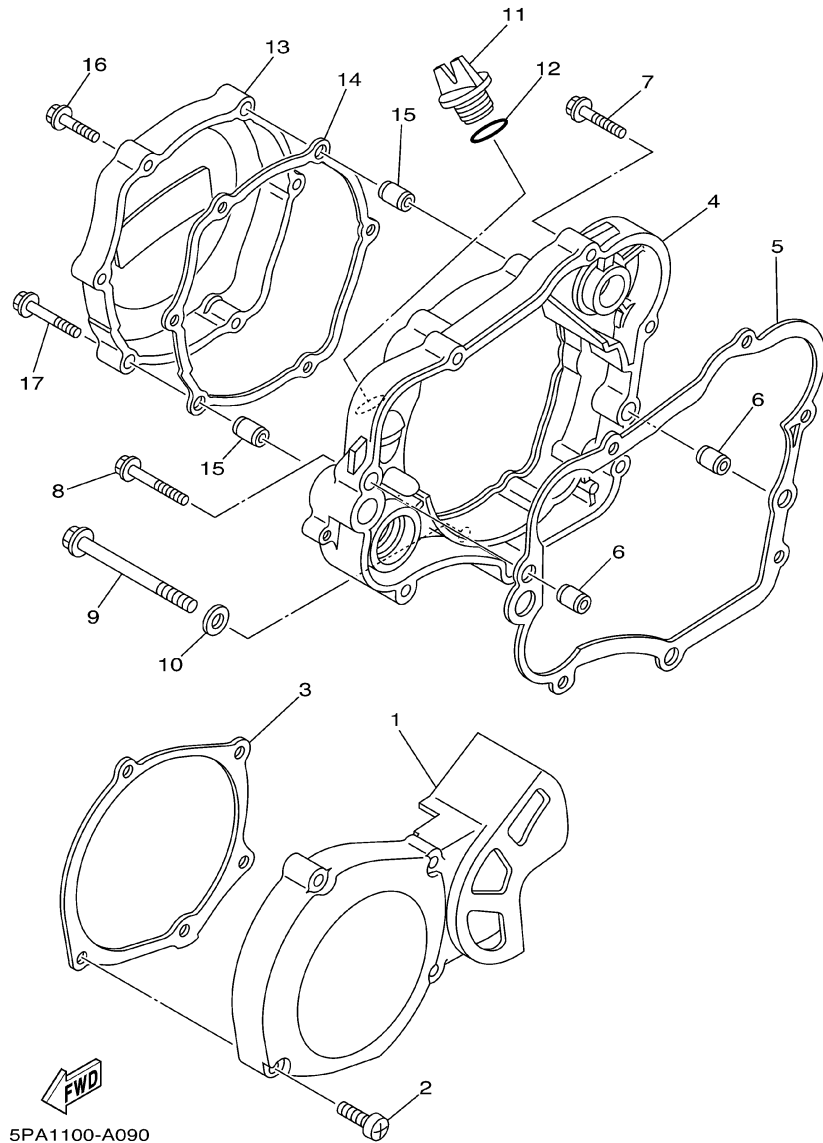


REF. NO.	PART NO.	DESCRIPTION	5PA1	5PA3	5SH1	5SH3	REMARKS
1	5PA-15111-00	CRANKCASE 1	1	1	1	1	
2	5PA-15121-00	CRANKCASE 2	1	1	1	1	
3	99530-10014	PIN, DOWEL	2	2	2	2	
4	98507-06040	SCREW, PAN HEAD	3	3	3	3	
5	98507-06050	SCREW, PAN HEAD	4	4	4	4	
6	98507-06060	SCREW, PAN HEAD	3	3	3	3	
7	98507-06070	SCREW, PAN HEAD	1	1	1	1	
8	353-13115-01	CONNECTOR, SUCTION PIPE	1	1	1	1	
9	90445-08376	HOSE (L330)	1	1	1	1	
10	90461-10136	CLAMP	1	1	1	1	



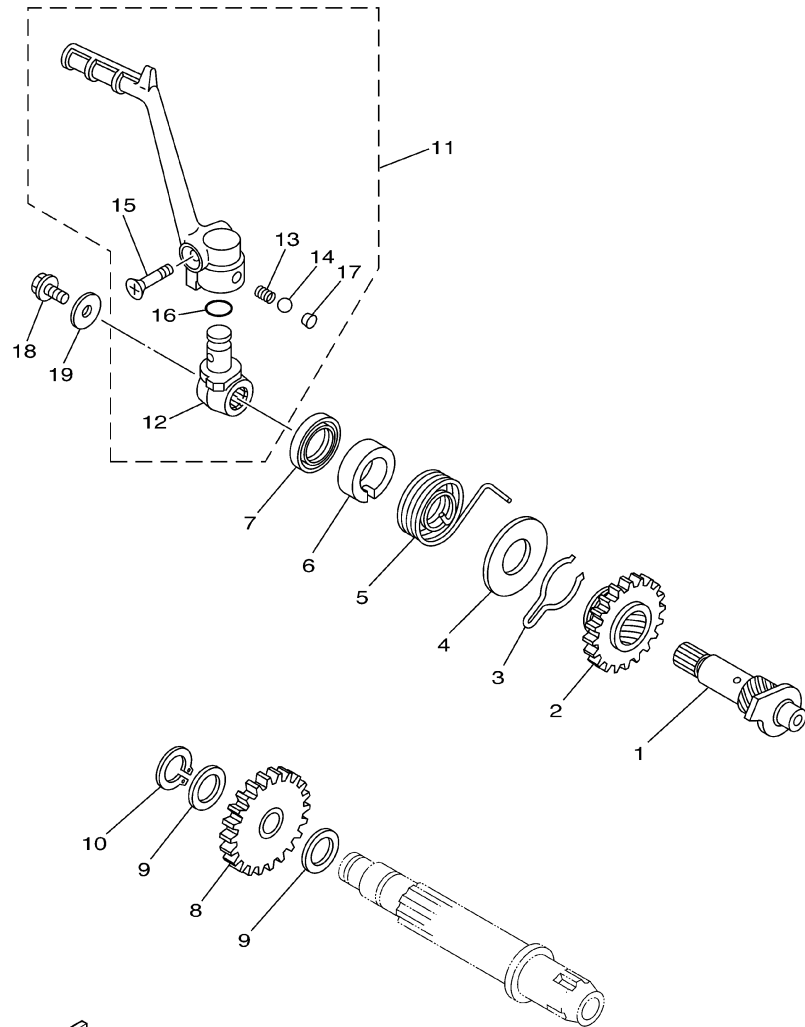
5PA1100-A080

FIG. 9 CRANKCASE COVER 1



REF. NO.	PART NO.	DESCRIPTION	5PA1	5PA3	5SH1	5SH3	REMARKS
1	4ES-15411-00	COVER, CRANKCASE 1	1	1	1	1	
2	98507-06030	SCREW, PAN HEAD	4	4	4	4	
3	5PA-15451-00	GASKET, CRANKCASE COVER 1	1	1	1	1	
4	5PA-15431-00	COVER, CRANKCASE 3	1	1	1	1	
5	4ES-15461-00	GASKET, CRANKCASE COVER 2	1	1	1	1	
6	99530-10014	PIN, DOWEL	2	2	2	2	
7	95027-06030	BOLT, FLANGE	4	4	4	4	
8	95027-06040	BOLT, FLANGE	1	1	1	1	
9	95027-08080	BOLT, FLANGE	1	1	1	1	
10	90430-08119	GASKET	1	1	1	1	
11	3Y1-15363-00	PLUG, OIL	1	1	1	1	
12	93210-19123	O-RING	1	1	1	1	
13	5PA-15415-00	COVER, GENERATOR	1	1	1	1	
14	5PA-15463-00	GASKET, CARBURETOR COVER 2	1	1	1	1	
15	99530-08016	PIN, DOWEL	2	2	2	2	
16	95027-06025	BOLT, FLANGE	4	4	4	4	
17	95027-06035	BOLT, FLANGE	2	2	2	2	

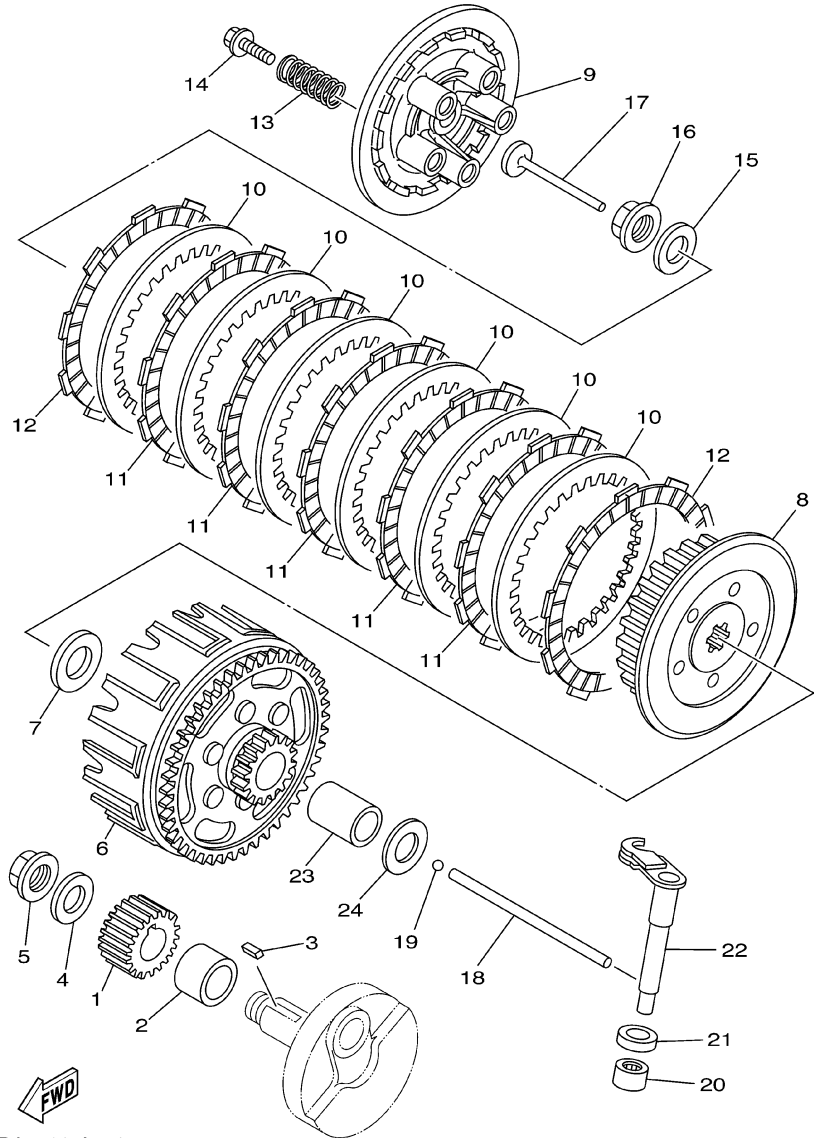
FIG. 10 STARTER



5PA1100-A100

REF. NO.	PART NO.	DESCRIPTION	5PA1	5PA3	5SH1	5SH3	REMARKS
1	5PA-15660-00	KICK AXLE ASSY	1	1	1	1	
2	5PA-15641-00	GEAR, KICK	1	1	1	1	
3	90468-23194	CLIP	1	1	1	1	
4	90201-176L4	WASHER, PLATE	1	1	1	1	
5	90508-26750	SPRING, TORSION	1	1	1	1	
6	4ES-15664-00	GUIDE, SPRING	1	1	1	1	
7	93102-17263	OIL SEAL	1	1	1	1	
8	5PA-15651-00	GEAR, KICK IDLE	1	1	1	1	
9	90201-124F8	WASHER, PLATE	2	2	2	2	
10	99009-12400	CIRCLIP	1	1	1	1	
11	5PA-15620-00	KICK CRANK ASSY	1	1	1	1	
12	5PA-15621-00	.BOSS, KICK CRANK	1	1	1	1	
13	90501-12081	.SPRING, COMPRESSION	1	1	1	1	
14	93507-32009	.BALL	1	1	1	1	
15	90152-06010	.SCREW, COUNTERSUNK	1	1	1	1	
16	93210-12152	.O-RING	1	1	1	1	
17	90336-06031	.PLUG, TAPER	1	1	1	1	
18	95027-06012	BOLT, FLANGE	1	1	1	1	
19	90201-06060	WASHER, PLATE	1	1	1	1	

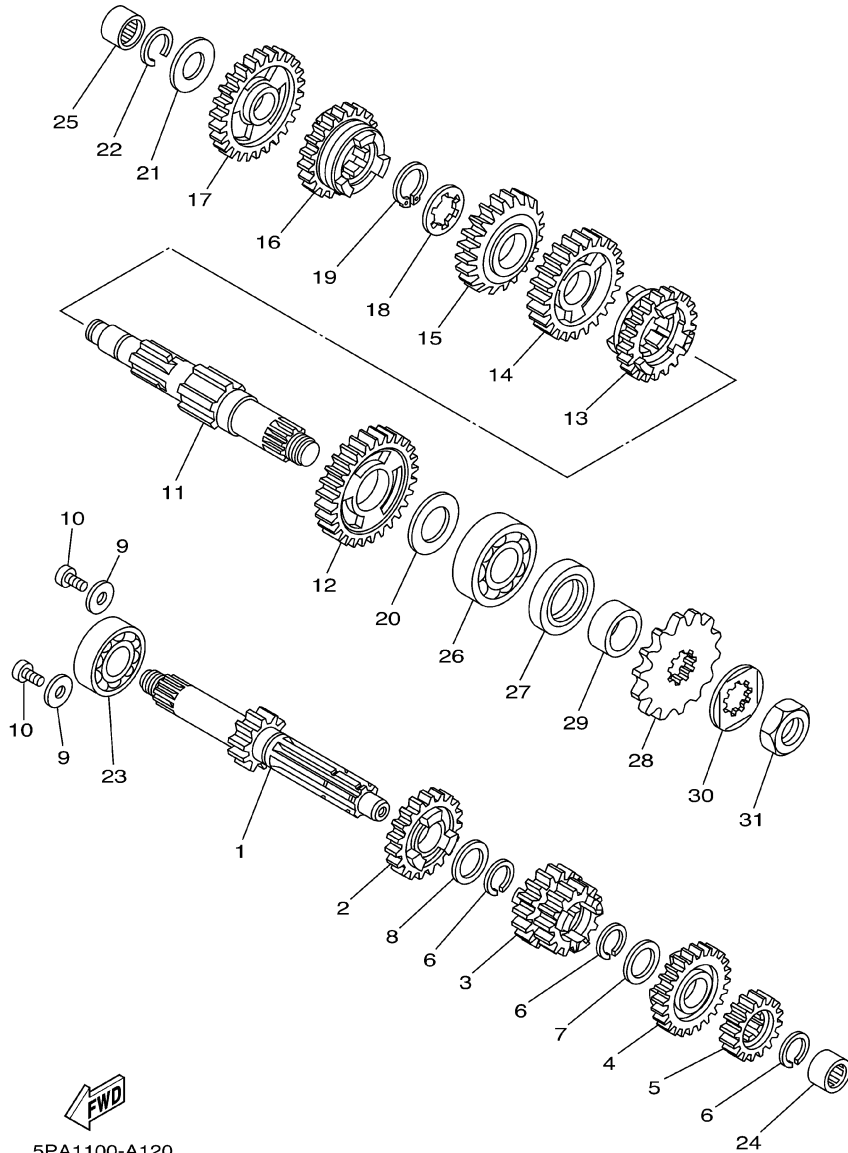
FIG. 11 CLUTCH



5PA1100-A110

REF. NO.	PART NO.	DESCRIPTION	5PA1	5PA3	5SH1	5SH3	REMARKS
1	5PA-16111-00	GEAR, PRIMARY DRIVE	1	1	1	1	
2	90387-20488	COLLAR	1	1	1	1	
3	90282-05001	KEY, STRAIGHT (5MMX16MM)	1	1	1	1	
4	90208-12015	WASHER, CONICAL SPRING	1	1	1	1	
5	90179-12659	NUT	1	1	1	1	
6	5PA-16150-00	PRIMARY DRIVEN GEAR COMP.	1	1	1	1	
7	90201-17558	WASHER, PLATE	1	1	1	1	
8	5PA-16371-00	BOSS, CLUTCH	1	1	1	1	
9	2TK-16351-00	PLATE, PRESSURE 1	1	1	1	1	
10	5PA-16324-00	PLATE, CLUTCH	6	6	6	6	
11	4ES-16321-00	PLATE, FRICTION	5	5	5	5	
12	21V-16321-00	PLATE, FRICTION	2	2	2	2	
13	90501-20735	SPRING, COMPRESSION	5	5	5	5	
14	90119-05001	BOLT, WITH WASHER	5	5	5	5	
15	90208-12015	WASHER, CONICAL SPRING	1	1	1	1	
16	90179-12659	NUT	1	1	1	1	
17	4ES-16356-00	ROD, PUSH 1	1	1	1	1	
18	5PA-16357-00	ROD, PUSH 2	1	1	1	1	
19	93503-16003	BALL	1	1	1	1	
20	93315-11206	BEARING	1	1	1	1	
21	93102-12224	OIL SEAL	1	1	1	1	
22	4ES-16381-00	PUSH LEVER COMP.	1	1	1	1	
23	5PA-16181-00	SPACER 1	1	1	1	1	
24	90201-171G6	WASHER, PLATE	1	1	1	1	

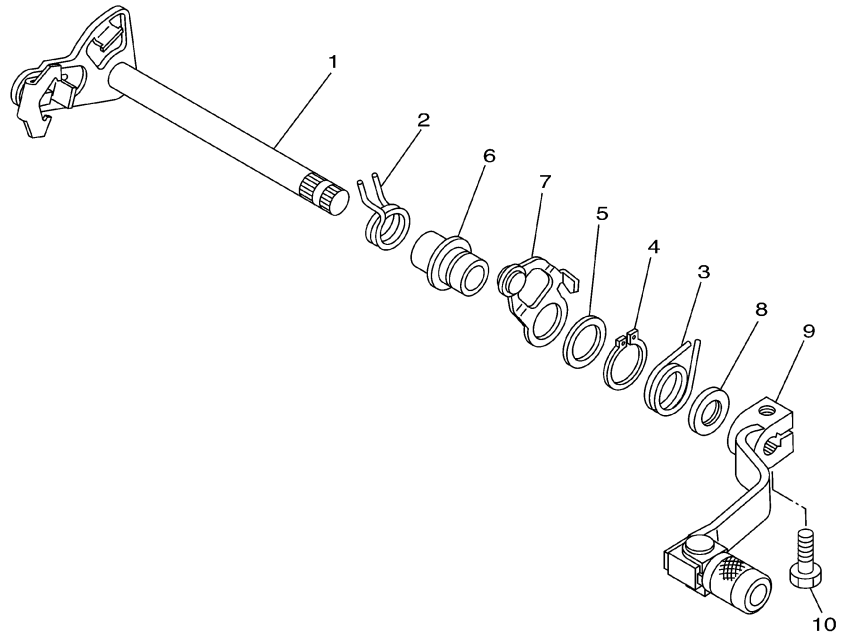
FIG. 12 TRANSMISSION



5PA1100-A120

REF. NO.	PART NO.	DESCRIPTION	5PA1	5PA3	5SH1	5SH3	REMARKS
1	5PA-17411-00	AXLE, MAIN (11T)	1	1	1	1	
2	4ES-17151-10	GEAR, 5TH PINION (23T)	1	1	1	1	
3	4ES-17131-00	GEAR, 3RD PINION (17T/17T)	1	1	1	1	
4	4ES-17161-10	GEAR, 6TH PINION (25T)	1	1	1	1	
5	4ES-17121-01	GEAR, 2ND PINION (17T)	1	1	1	1	
6	93440-17064	CIRCLIP	3	3	3	3	
7	90209-14008	WASHER	1	1	1	1	
8	90201-17545	WASHER, PLATE	1	1	1	1	
9	90201-06060	WASHER, PLATE	2	2	2	2	
10	90157-06071	SCREW, PAN HEAD	2	2	2	2	
11	5PA-17421-00	AXLE, DRIVE	1	1	1	1	
12	5PA-17221-00	GEAR, 2ND WHEEL (32T)	1	1	1	1	
13	5PA-17261-00	GEAR, 6TH WHEEL (25T)	1	1	1	1	
14	4ES-17231-10	GEAR, 3RD WHEEL (26T)	1	1	1	1	
15	5PA-17241-00	GEAR, 4TH WHEEL (22T)	1	1	1	1	
16	4ES-17251-00	GEAR, 5TH WHEEL (26T)	1	1	1	1	
17	4ES-17211-01	GEAR, 1ST WHEEL (27T)	1	1	1	1	
18	90209-16209	WASHER	1	1	1	1	
19	93410-20038	CIRCLIP	1	1	1	1	
20	90201-20611	WASHER, PLATE	1	1	1	1	
21	164-17427-00-06	SHIM 1 (0.6T)	1	1	1	1	UR
	164-17427-00-08	SHIM 1 (0.8T)	1	1	1	1	UR
	164-17427-00-10	SHIM 1 (1.0T)	1	1	1	1	UR
22	93440-15012	CIRCLIP	1	1	1	1	
23	93306-20333	BEARING	1	1	1	1	
24	93317-11245	BEARING	1	1	1	1	
25	93315-31502	BEARING	1	1	1	1	

FIG. 14 SHIFT SHAFT

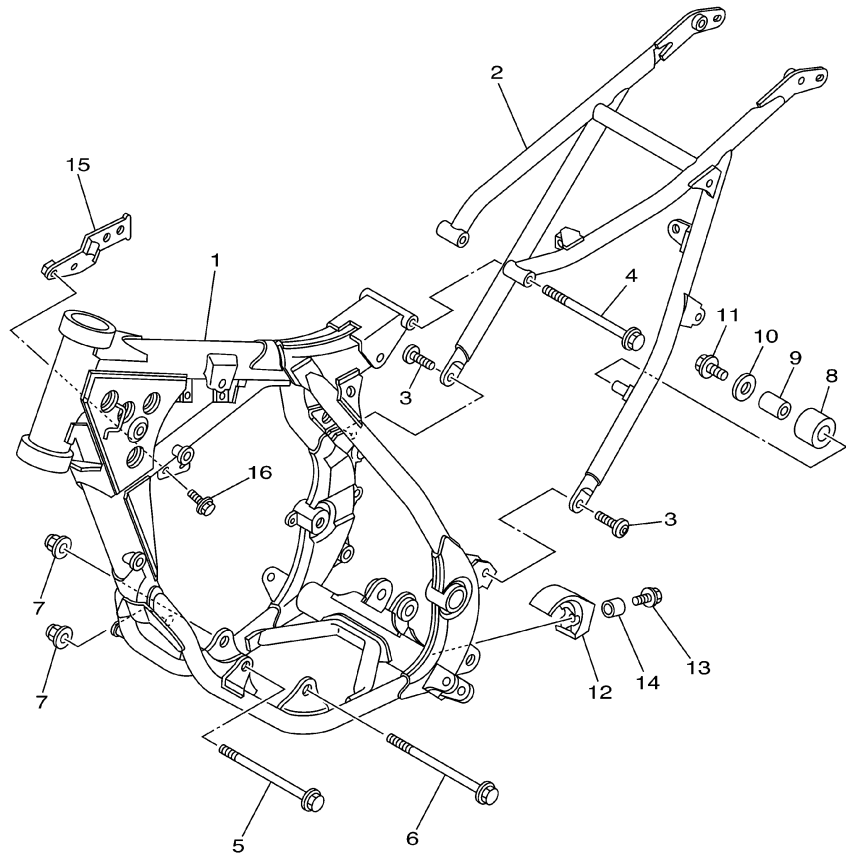


REF. NO.	PART NO.	DESCRIPTION	5PA1	5PA3	5SH1	5SH3	REMARKS
1	5PA-18101-00	SHIFT SHAFT ASSY	1	1	1	1	
2	90508-32016	SPRING, TORSION	1	1	1	1	
3	90508-24007	SPRING, TORSION	1	1	1	1	
4	99009-17400	CIRCLIP	1	1	1	1	
5	90201-177G4	WASHER, PLATE	1	1	1	1	
6	5PA-1811E-00	COLLAR, SHIFT PEDAL	1	1	1	1	
7	5PA-18140-00	STOPPER LEVER ASSY	1	1	1	1	
8	93101-12173	OIL SEAL	1	1	1	1	
9	2HF-18110-01	SHIFT PEDAL ASSY	1	1	1	1	
10	97027-06020	BOLT	1	1	1	1	



5PA1100-A140

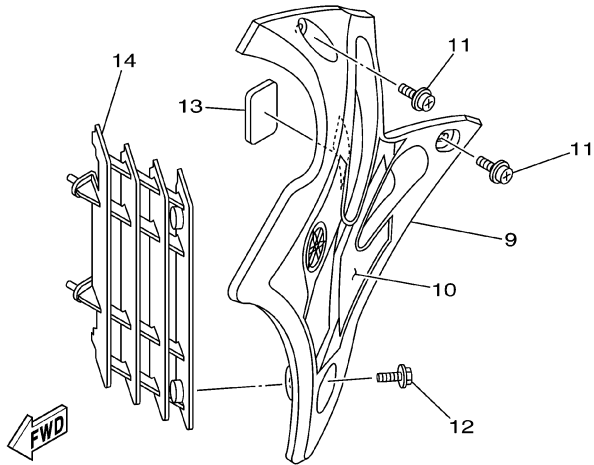
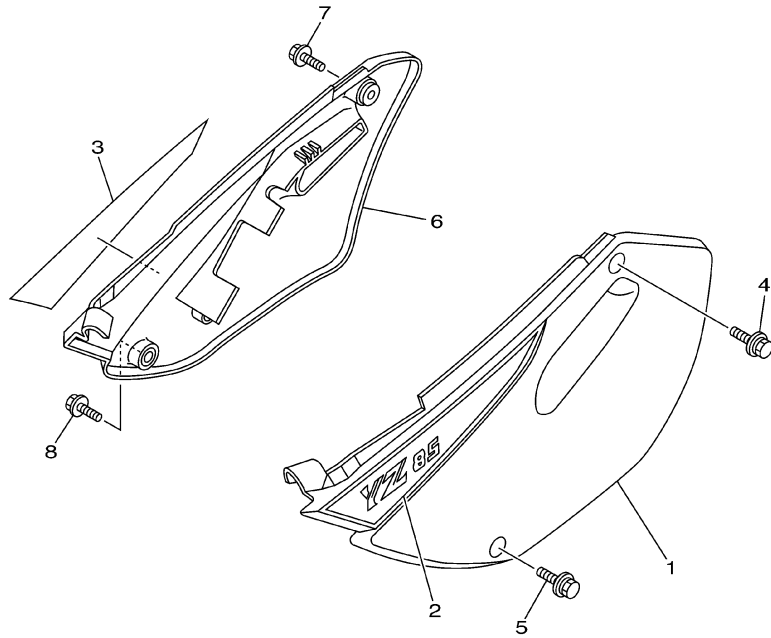
FIG. 15 FRAME



5PA1100-A150

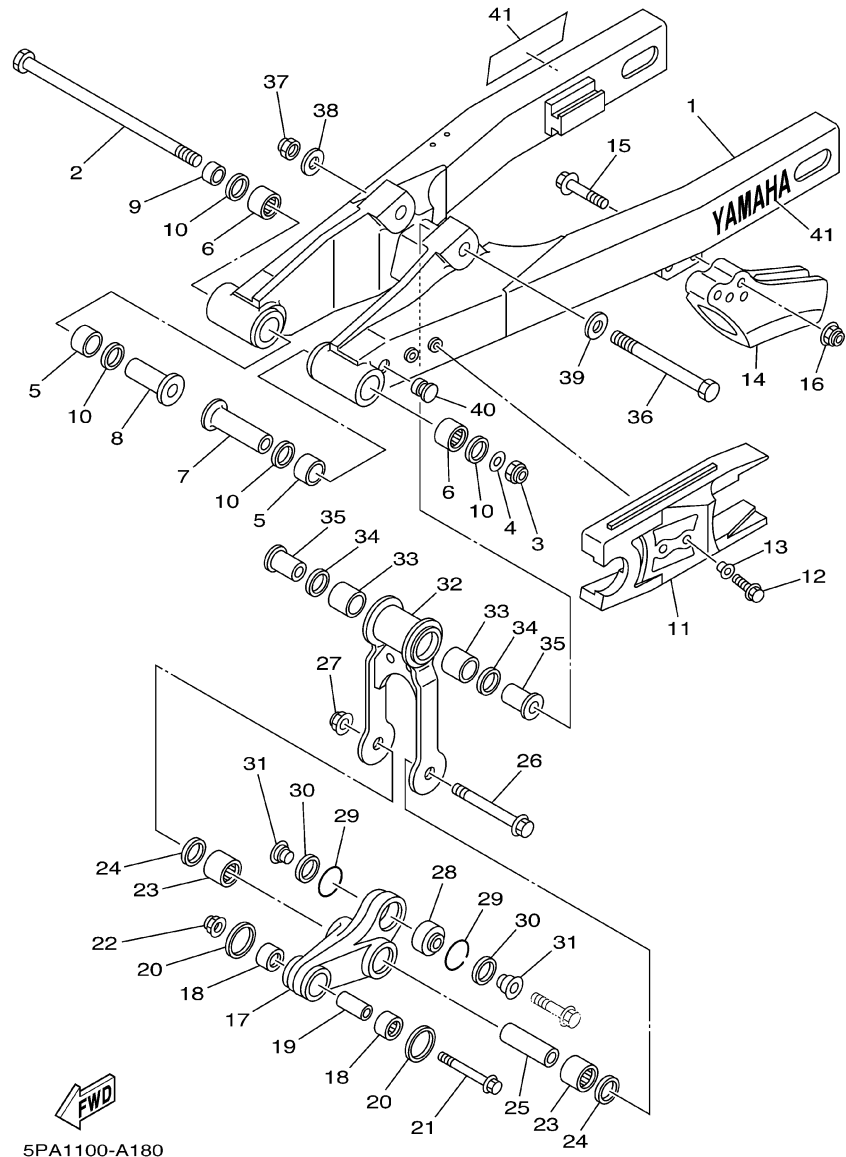
REF. NO.	PART NO.	DESCRIPTION	5PA1	5PA3	5SH1	5SH3	REMARKS
1	5PA-21101-01-P0	FRONT FRAME COMP.	1	1	1	1	DPBMC
2	5PA-21190-00-P0	REAR FRAME COMP.	1	1	1	1	DPBMC
3	90110-08096	BOLT, HEXAGON SOCKET HEAD	2	2	2	2	
4	95817-08125	BOLT, FLANGE	1	1	1	1	
5	90105-10052	BOLT, FLANGE	1	1	1	1	
6	90105-10731	BOLT, FLANGE	1	1	1	1	
7	95607-10200	NUT, SELF-LOCKING	2	2	2	2	
8	30X-22178-00	TENSIONER	1	1	1	1	
9	4V4-22184-00	BUSH	1	1	1	1	
10	90201-081R9	WASHER, PLATE	1	1	1	1	
11	95027-08012	BOLT, FLANGE	1	1	1	1	
12	4ES-22178-00	TENSIONER	1	1	1	1	
13	90119-06118	BOLT, WITH WASHER	1	1	1	1	
14	90387-060A3	COLLAR	1	1	1	1	
15	5PA-21274-00	BRACKET, C.D.I. UNIT	1	1	1	1	
16	95027-06012	BOLT, FLANGE	2	2	2	2	

FIG. 17 SIDE COVER



5PA1100-A170

REF. NO.	PART NO.	DESCRIPTION	5PA1	5PA3	5SH1	5SH3	REMARKS
1	5PA-21711-00	COVER, SIDE 1	1	1	1	1	
2	5PA-2173E-01	GRAPHIC 1	1	1	1	1	
3	5PA-2173F-01	GRAPHIC 2	1	1	1	1	
4	90119-06225	BOLT, WITH WASHER	1	1	1	1	
5	90119-06001	BOLT, WITH WASHER	1	1	1	1	
6	5PA-21721-00	COVER, SIDE 2	1	1	1	1	
7	90119-06225	BOLT, WITH WASHER	1	1	1	1	
8	90119-06001	BOLT, WITH WASHER	1	1	1	1	
9	5PA-21731-00	COVER, SIDE 3	1	1	1	1	
10	5PA-24244-00	GRAPHIC	1	1	1	1	
11	90159-06182	SCREW, WITH WASHER	2	2	2	2	
12	90159-06078	SCREW, WITH WASHER	1	1	1	1	
13	1FK-21746-00	DAMPER	1	1	1	1	
14	5PH-2172A-10	PANEL 1	1	1	1	1	



5PA1100-A180

FIG. 18 REAR ARM

REF. NO.	PART NO.	DESCRIPTION	5PA1	5PA3	5SH1	5SH3	REMARKS
1	4ES-22110-01	REAR ARM COMP.	1	1			
	5SH-22110-00	REAR ARM COMP.			1	1	
2	22W-25181-01	AXLE, WHEEL	1	1	1	1	
3	95617-12100	NUT, U	1	1	1	1	
4	90201-124G9	WASHER, PLATE	1	1	1	1	
5	90385-17042	BUSH	2	2	2	2	
6	93317-21746	BEARING	2	2	2	2	
7	90387-127J8	COLLAR	1	1	1	1	
8	90387-127J7	COLLAR	1	1	1	1	
9	90387-1200U	COLLAR	1	1	1	1	
10	93109-17071	OIL SEAL	4	4	4	4	
11	5PA-22151-00	SEAL, GUARD	1	1	1	1	
12	95027-06014	BOLT, FLANGE	2	2	2	2	
13	90387-062X0	COLLAR	2	2	2	2	
14	39K-22199-00	SUPPORT, CHAIN	1	1	1	1	
15	90105-08310	BOLT, FLANGE	2	2	2	2	
16	95607-08200	NUT, SELF-LOCKING	2	2	2	2	
17	4ES-2217A-00	ARM, RELAY	1	1	1	1	
18	93315-21455	BEARING	2	2	2	2	
19	90380-10218	BUSH, SOLID	1	1	1	1	
20	4ES-22129-00	COVER, THRUST 2	2	2	2	2	
21	90105-10582	BOLT, FLANGE	1	1	1	1	
22	95607-10200	NUT, SELF-LOCKING	1	1	1	1	
23	93317-31771	BEARING	2	2	2	2	
24	93101-17062	OIL SEAL	2	2	2	2	
25	90380-12219	BUSH, SOLID	1	1	1	1	
26	90105-12382	BOLT, FLANGE	1	1	1	1	

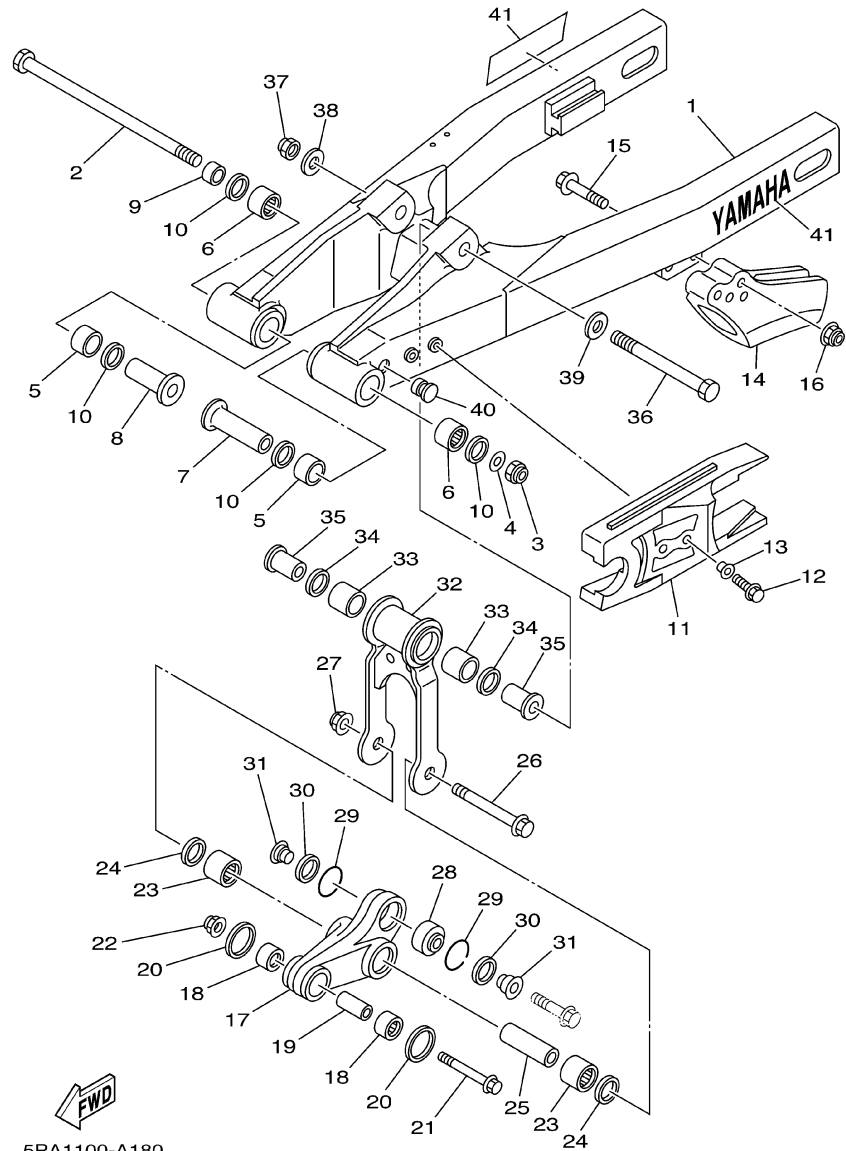
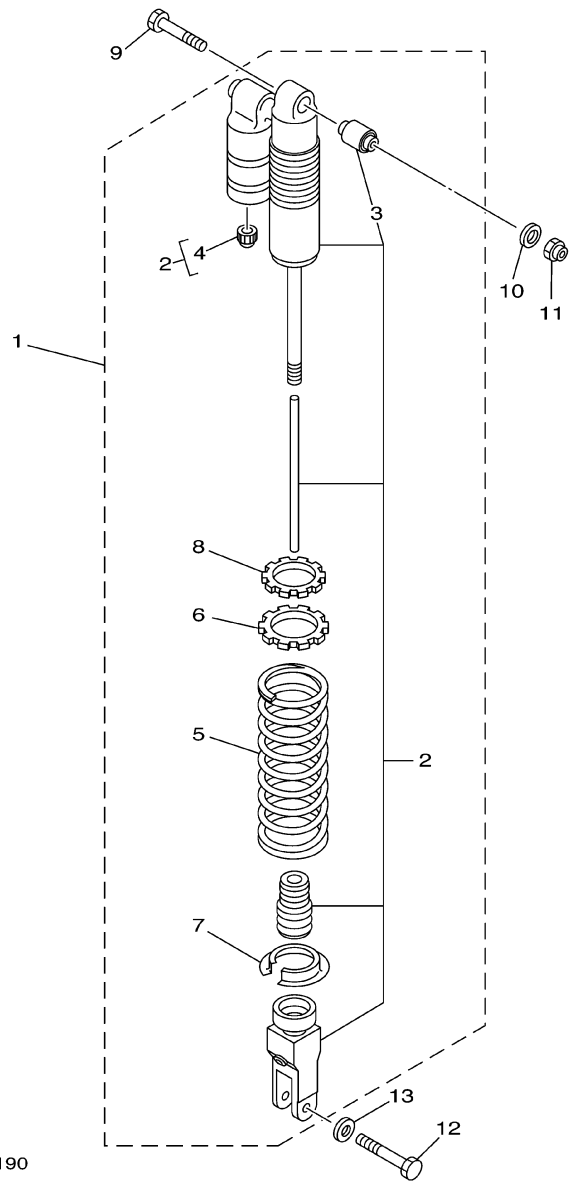


FIG. 18 REAR ARM

REF. NO.	PART NO.	DESCRIPTION	5PA1	5PA3	5SH1	5SH3	REMARKS
27	95607-12200	NUT, SELF-LOCKING	1	1	1	1	
28	93399-99921	BEARING	1	1	1	1	
29	93440-30113	CIRCLIP	2	2	2	2	
30	3XJ-22475-00	SEAL, DUST	2	2	2	2	
31	90387-103X9	COLLAR	2	2	2	2	
32	4ES-2217F-00	ROD, CONNECTING 1	1	1	1	1	
33	93317-31771	BEARING	2	2	2	2	
34	93101-17062	OIL SEAL	2	2	2	2	
35	90381-12091	BUSH, SOLID	2	2	2	2	
36	90101-12755	BOLT	1	1	1	1	
37	90185-12119	NUT, SELF-LOCKING	1	1	1	1	
38	90201-12749	WASHER, PLATE	1	1	1	1	
39	90201-127J6	WASHER, PLATE	1	1	1	1	
40	90338-10150	PLUG	2	2	2	2	
41	99244-00140	EMBLEM, YAMAHA	2	2	2	2	

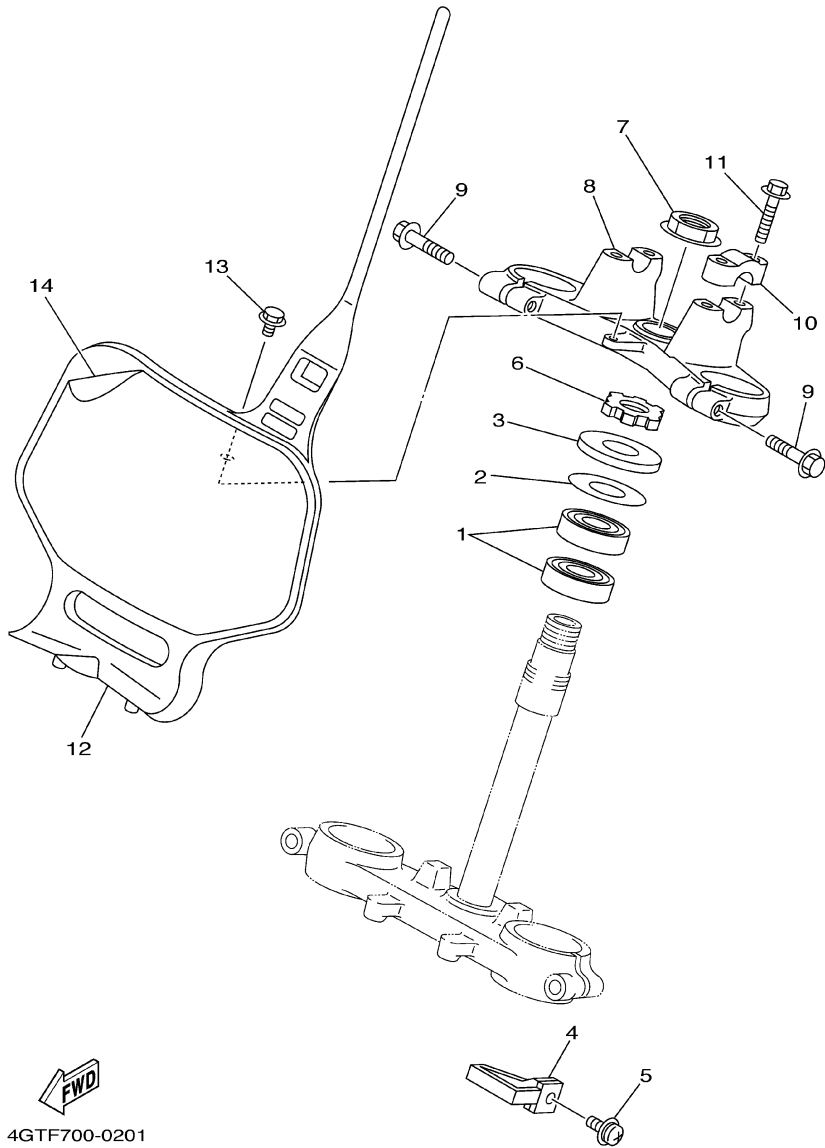
FIG. 19 REAR SUSPENSION



FWD
5PA1100-A190

REF. NO.	PART NO.	DESCRIPTION	5PA1	5PA3	5SH1	5SH3	REMARKS
1	5PA-22210-00	SHOCK ABSORBER ASSY, REAR	1				UR FOR USA
	5PA-22210-10	SHOCK ABSORBER ASSY, REAR	1				UR FOR EUR
	5PA-22210-30	SHOCK ABSORBER ASSY, REAR	1				UR FOR CAN
	5PA-22210-40	SHOCK ABSORBER ASSY, REAR	1				UR FOR ZAF
	5PA-22210-20	SHOCK ABSORBER ASSY, REAR		1			FOR JPN
	5SH-22210-00	SHOCK ABSORBER ASSY, REAR			1		FOR EUR
	5SH-22210-20	SHOCK ABSORBER ASSY, REAR				1	FOR JPN
2	5PA-22201-00	.DAMPER SUB ASSY	1				UR FOR USA
	5PA-22201-10	.DAMPER SUB ASSY	1				UR FOR EUR
	5PA-22201-30	.DAMPER SUB ASSY	1				UR FOR CAN
	5PA-22201-40	.DAMPER SUB ASSY	1				UR FOR ZAF
	5PA-22201-20	.DAMPER SUB ASSY		1			FOR JPN
	5SH-22201-00	.DAMPER SUB ASSY			1		FOR EUR
	5SH-22201-20	.DAMPER SUB ASSY				1	FOR JPN
3	4ES-22216-00	..BUSH, REAR SHOCK ABSORBER	1	1	1	1	
4	58T-23184-L0	..CAP, AIR VALVE	1	1	1	1	
5	4ES-22212-F0	..SPRING (K=5.0)	1	1			UR FOR USA,CAN, ZAF,JPN
	4ES-22212-K0	..SPRING (K=4.6)	1				UR FOR EUR
	4ES-22212-H0	..SPRING (K=5.2)			1	1	
6	4ES-22214-00	..GUIDE, SPRING 1	1	1	1	1	
7	3JD-22214-00	..GUIDE, SPRING 1	1	1	1	1	
8	4ES-22251-00	..NUT 1	1	1	1	1	
9	90109-10729	BOLT	1	1	1	1	
10	92907-10600	WASHER, PLATE	1	1	1	1	
11	90185-10110	NUT, SELF-LOCKING	1	1	1	1	
12	90105-10614	BOLT, FLANGE	1	1	1	1	
13	90201-112U6	WASHER, PLATE	1	1	1	1	

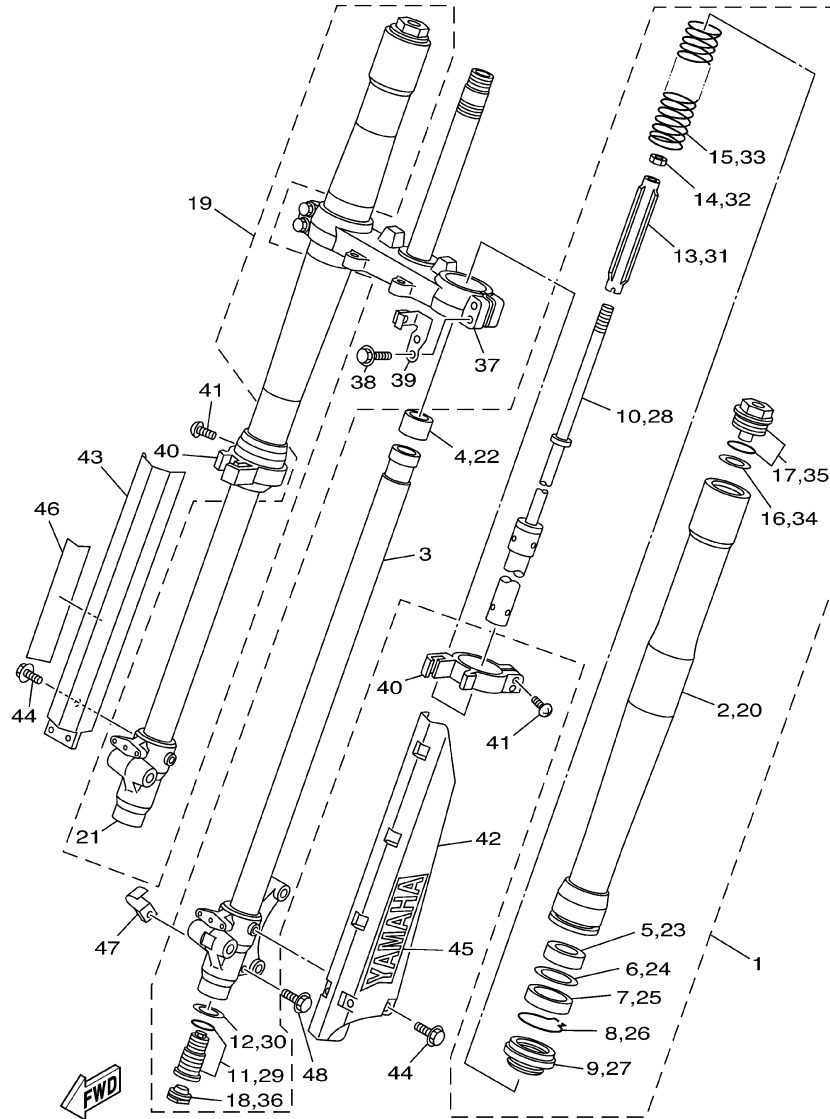
FIG. 20 STEERING



FWD
4GTF700-0201

REF. NO.	PART NO.	DESCRIPTION	5PA1	5PA3	5SH1	5SH3	REMARKS
1	93332-00079	BEARING	2	2	2	2	
2	90201-256K5	WASHER, PLATE (0.5T)	1	1	1	1	
3	1J7-23415-00	COVER, BALL RACE 1	1	1	1	1	
4	4DA-23389-00	GUIDE, CABLE	1	1	1	1	
5	90157-05079	SCREW, PAN HEAD	1	1	1	1	
6	90179-25033	NUT	1	1	1	1	
7	90179-22412	NUT	1	1	1	1	
8	4ES-23435-00	CROWN, HANDLE	1	1	1	1	
9	95807-08035	BOLT, FLANGE	2	2	2	2	
10	3SP-23441-00	HOLDER, HANDLE UPPER	2	2	2	2	
11	95027-08030	BOLT, FLANGE	4	4	4	4	
12	4ES-23485-20	PLATE, NUMBER	1	1	1	1	
13	95027-06012	BOLT, FLANGE	1	1	1	1	
14	4ES-2339E-00	GRAPHIC 1	1	1	1	1	

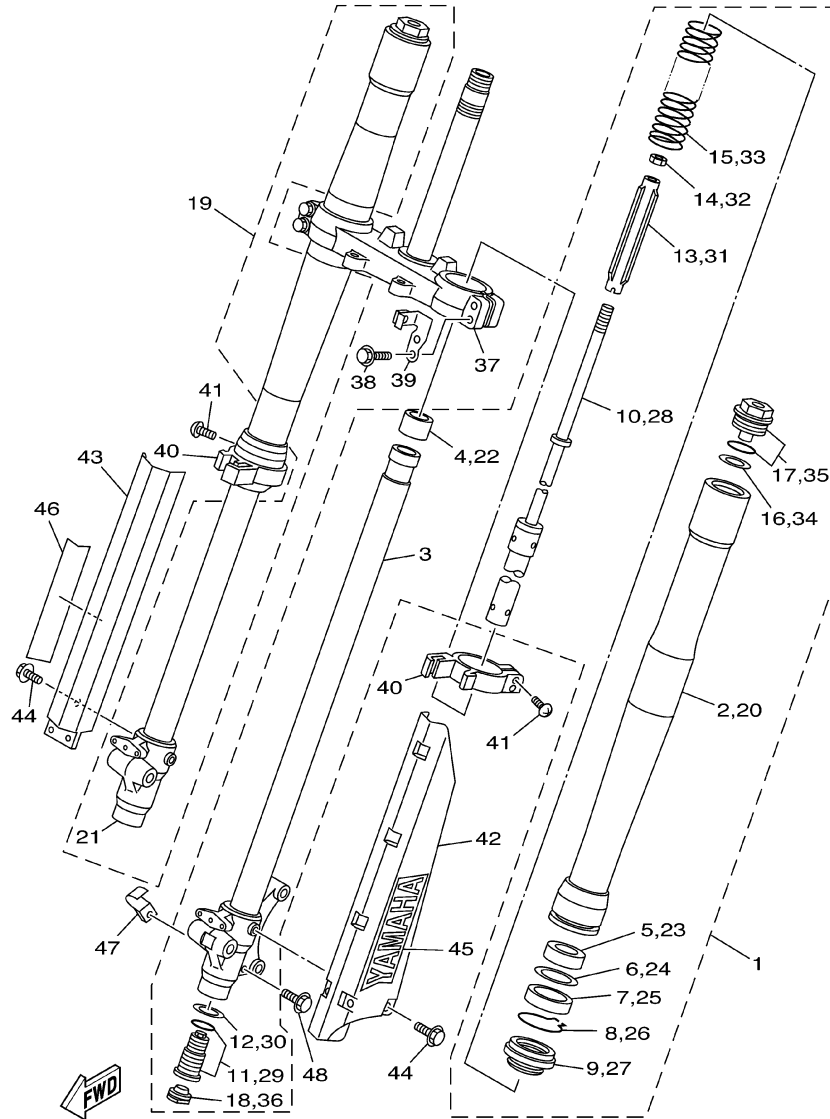
FIG. 21 FRONT FORK



5PA1100-A210

REF. NO.	PART NO.	DESCRIPTION	5PA1	5PA3	5SH1	5SH3	REMARKS
1	5PA-23102-00	FRONT FORK ASSY (L.H)	1	1			
	5SH-23102-00	FRONT FORK ASSY (L.H)			1	1	
2	5PA-23136-00	.TUBE, OUTER (RIGHT)	1	1	1	1	
3	5PA-23120-00	.INNER TUBE COMP.2	1	1	1	1	
4	5PA-23171-00	.PISTON, FRONT FORK	1	1	1	1	
5	5PA-23125-00	.METAL, SLIDE 1	1	1	1	1	
6	5K5-23149-00	.WASHER, SPRING UPPER	1	1	1	1	
7	4ES-23145-00	.OIL SEAL	1	1	1	1	
8	4A1-23156-00	.CLIP, OIL SEAL	1	1	1	1	
9	4ES-23144-00	.SEAL, DUST	1	1	1	1	
10	5PA-23170-00	.CYLINDER COMP., FRONT FORK	1	1	1	1	
11	5PA-2316A-00	.VALVE COMP.	1	1			
	5SH-2316A-00	.VALVE COMP.			1	1	
12	2HH-23158-L0	.GASKET	1	1	1	1	
13	4ES-23142-00	.SEAT, SPRING UPPER	1	1	1	1	
14	3XJ-23357-L0	.NUT	1	1	1	1	
15	4ES-23141-40	.SPRING, FRONT FORK (K=0.29)	1	1			
	4LB-23141-10	.SPRING, FRONT FORK (K=0.30)			1	1	
16	5PA-23149-00	.WASHER, SPRING UPPER	1	1	1	1	
17	4ES-23111-10	.BOLT, CAP	1	1	1	1	
18	3JD-2312G-L0	.PLUG	1	1	1	1	
19	5PA-23103-00	FRONT FORK ASSY (R.H)	1	1			
	5SH-23103-00	FRONT FORK ASSY (R.H)			1	1	
20	5PA-23136-00	.TUBE, OUTER (RIGHT)	1	1	1	1	
21	5PA-23110-00	.INNER TUBE COMP.1	1	1	1	1	
22	5PA-23171-00	.PISTON, FRONT FORK	1	1	1	1	
23	5PA-23125-00	.METAL, SLIDE 1	1	1	1	1	

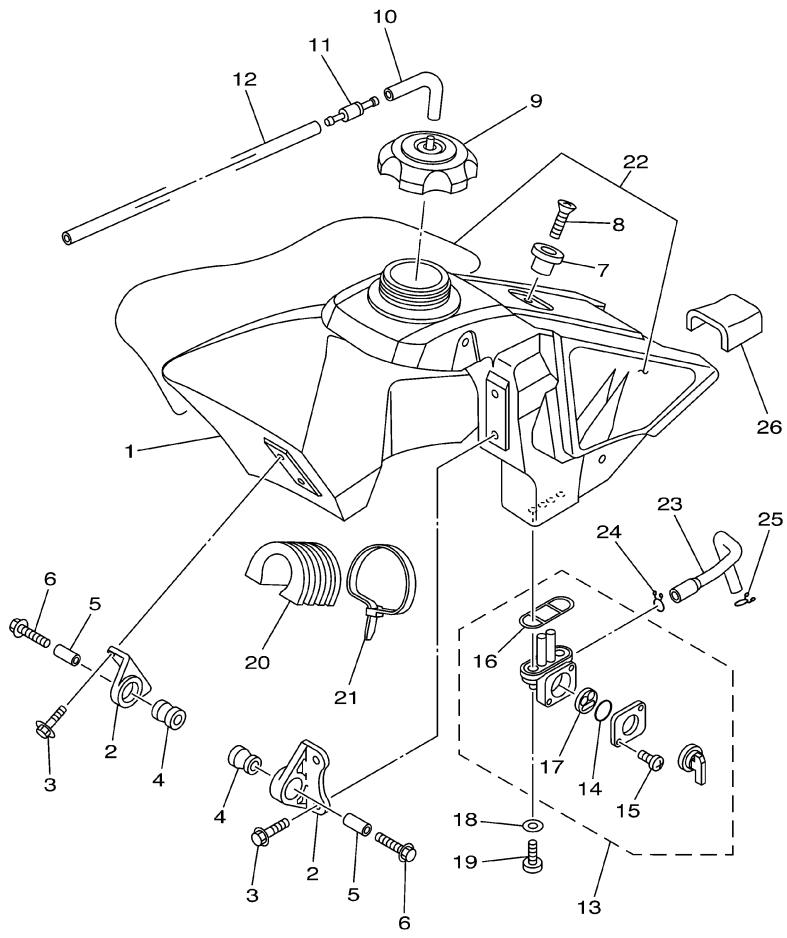
FIG. 21 FRONT FORK



5PA1100-A210

REF. NO.	PART NO.	DESCRIPTION	5PA1	5PA3	5SH1	5SH3	REMARKS
24	5K5-23149-00	.WASHER, SPRING UPPER	1	1	1	1	
25	4ES-23145-00	.OIL SEAL	1	1	1	1	
26	4A1-23156-00	.CLIP, OIL SEAL	1	1	1	1	
27	4ES-23144-00	.SEAL, DUST	1	1	1	1	
28	5PA-23170-00	.CYLINDER COMP., FRONT FORK	1	1	1	1	
29	5PA-2316A-00	.VALVE COMP.	1	1			
	5SH-2316A-00	.VALVE COMP.			1	1	
30	2HH-23158-L0	.GASKET	1	1	1	1	
31	4ES-23142-00	.SEAT, SPRING UPPER	1	1	1	1	
32	3XJ-23357-L0	.NUT	1	1	1	1	
33	4ES-23141-40	.SPRING, FRONT FORK (K=0.29)	1	1			
	4LB-23141-10	.SPRING, FRONT FORK (K=0.30)			1	1	
34	5PA-23149-00	.WASHER, SPRING UPPER	1	1	1	1	
35	4ES-23111-10	.BOLT, CAP	1	1	1	1	
36	3JD-2312G-L0	.PLUG	1	1	1	1	
37	5PA-23340-00	UNDER BRACKET COMP.	1	1	1	1	
38	5NY-23346-L0	BOLT 1	4	4	4	4	
39	5PA-2331E-00	GUIDE, CABLE	1	1	1	1	
40	4ES-2314F-00	PROTECTOR GUIDE COMP., 1	2	2	2	2	
41	4V4-23194-L0	SCREW, BOOT BAND	4	4	4	4	
42	5PA-2314H-L0	PROTECTOR COMP., 1	1	1	1	1	
43	5PA-2314J-L0	PROTECTOR COMP., 2	1	1	1	1	
44	95024-06010	BOLT, FLANGE	6	6	6	6	
45	4XL-2153A-10	EMBLEM, YAMAHA	1	1	1	1	
46	4XL-2153A-10	EMBLEM, YAMAHA	1	1	1	1	
47	4ES-23318-00	HOLDER, CABLE 1	1	1	1	1	
48	95027-06016	BOLT, FLANGE	1	1	1	1	

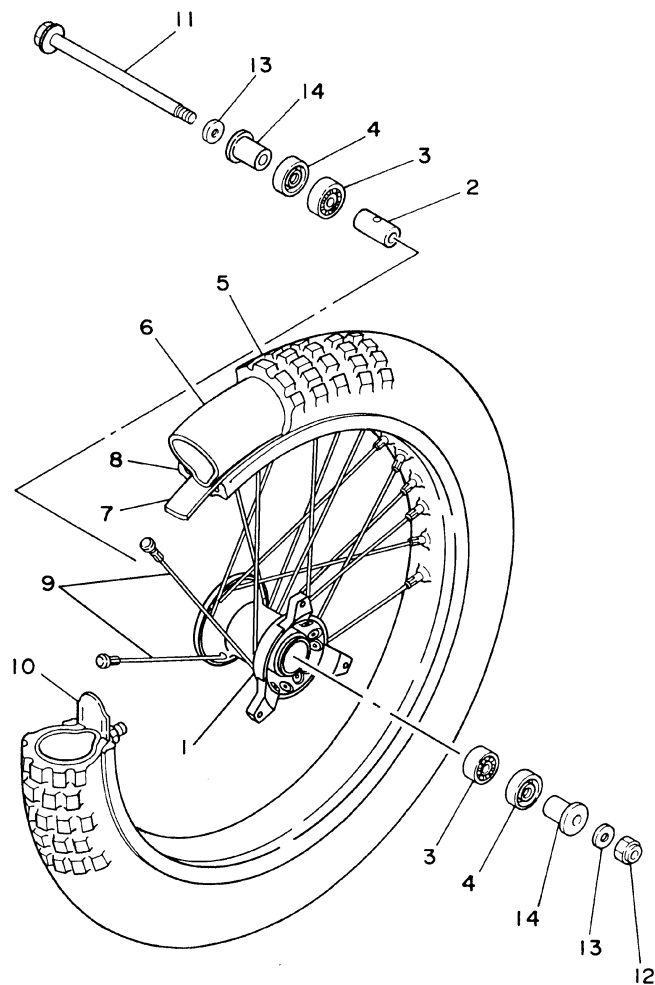
FIG. 22 FUEL TANK



REF. NO.	PART NO.	DESCRIPTION	5PA1	5PA3	5SH1	5SH3	REMARKS
1	5PA-24110-00	FUEL TANK COMP.	1	1	1	1	
2	24X-24144-00	HOLDER, DAMPER	2	2	2	2	
3	95027-06016	BOLT, FLANGE	4	4	4	4	
4	90480-18549	GROMMET	2	2	2	2	
5	90387-06027	COLLAR	2	2	2	2	
6	90119-06190	BOLT, WITH WASHER	2	2	2	2	
7	4EW-2412F-00	BRACKET, SEAT	1	1	1	1	
8	98707-06025	SCREW, FLAT HEAD	1	1	1	1	
9	5NY-24610-00	CAP ASSY	1	1	1	1	
10	90445-09220	HOSE	1	1	1	1	
11	3XJ-24380-00	PIPE JOINT ASSY	1	1	1	1	
12	90445-09300	HOSE (L355)	1	1	1	1	
13	4DP-24500-00	FUEL COCK ASSY 1	1	1	1	1	
14	3AJ-24534-00	.SEAL, COCK	1	1	1	1	
15	97801-03008	.SCREW, PAN HEAD	2	2	2	2	
16	4X8-24512-00	.O-RING	1	1	1	1	
17	3AJ-24523-00	.VALVE PACKING	1	1	1	1	
18	90202-05193	WASHER, PLATE	2	2	2	2	
19	90149-06011	SCREW	2	2	2	2	
20	5PA-24182-00	DAMPER, LOCATING 2	1	1	1	1	
21	90465-13275	CLAMP	1	1	1	1	
22	5PA-24240-00	GRAPHIC SET	1	1	1	1	
23	5PA-24311-00	PIPE, FUEL 1	1	1	1	1	
24	90467-10008	CLIP	1	1	1	1	
25	90467-09002	CLIP	1	1	1	1	
26	5PA-24183-00	DAMPÉR, LOCATING 3	1	1	1	1	

FWD
5PA1100-A220

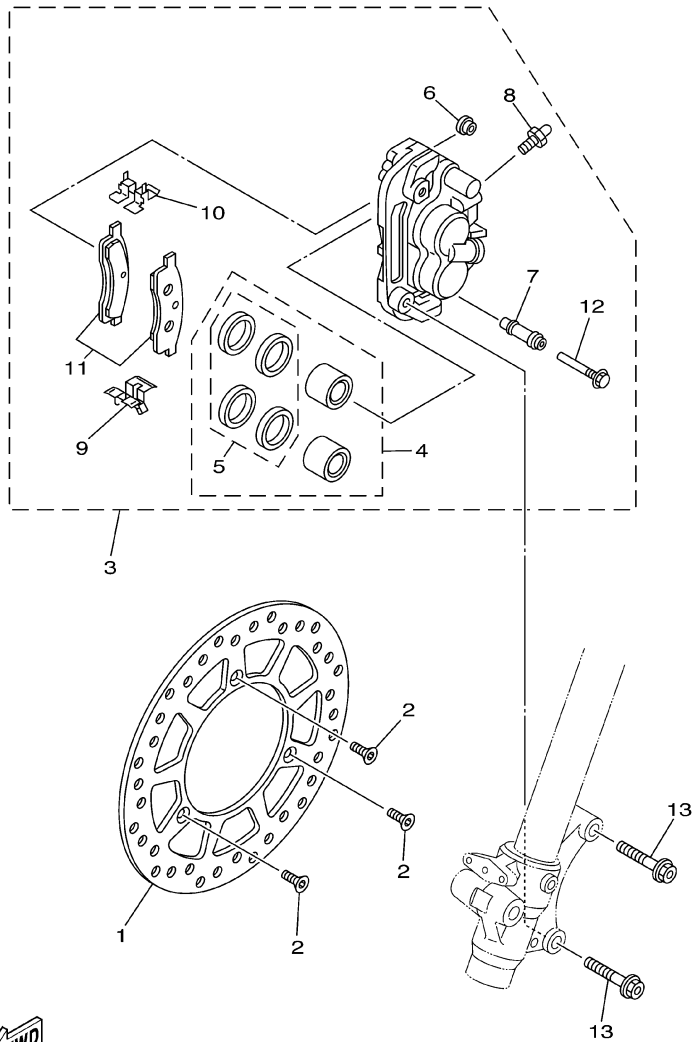
FIG. 24 FRONT WHEEL



4ES1100-3240

REF. NO.	PART NO.	DESCRIPTION	5PA1	5PA3	5SH1	5SH3	REMARKS
1	4ES-25111-00	HUB, FRONT	1	1	1	1	
2	90387-124H0	COLLAR	1	1	1	1	
3	93306-20120	BEARING	2	2	2	2	
4	93106-20031	OIL SEAL	2	2	2	2	
5	94107-17009	TYRE (70/100-17 D739FA)	1	1			DUNLOP FOR USA, SWE,ZAF
	94107-17011	TYRE (70/100-17 D756F)	1				DUNLOP
	94107-19011	TYRE (70/100-19 D756F)			1		DUNLOP
	94107-19009	TYRE (70/100-19 D739FA)				1	DUNLOP
6	94207-17284	TUBE (70/100-17 TR4)	1	1			DUNLOP
	94207-19290	TUBE (70/100-19 TR-4)			1	1	DUNLOP
7	94307-17166	BAND, RIM (80/90,70/100-17)	1	1			DUNLOP
	94307-19170	BAND, RIM (70/100-19)			1	1	DUNLOP
8	94414-17530	RIM (1.40-17)	1	1			
	94414-19521	RIM (1.40-19)			1	1	
9	4ES-25104-20	SPOKE SET, FRONT	1	1			
	4LB-25104-00	SPOKE SET, FRONT			1	1	
10	1T1-25194-00	SPACER, BEAD	1	1	1	1	
11	4ES-25181-00	AXLE, WHEEL	1	1	1	1	
12	90185-12046	NUT, SELF-LOCKING	1	1	1	1	
13	90201-12362	WASHER, PLATE	2	2	2	2	
14	4ES-25183-10	COLLAR, WHEEL	2	2	2	2	

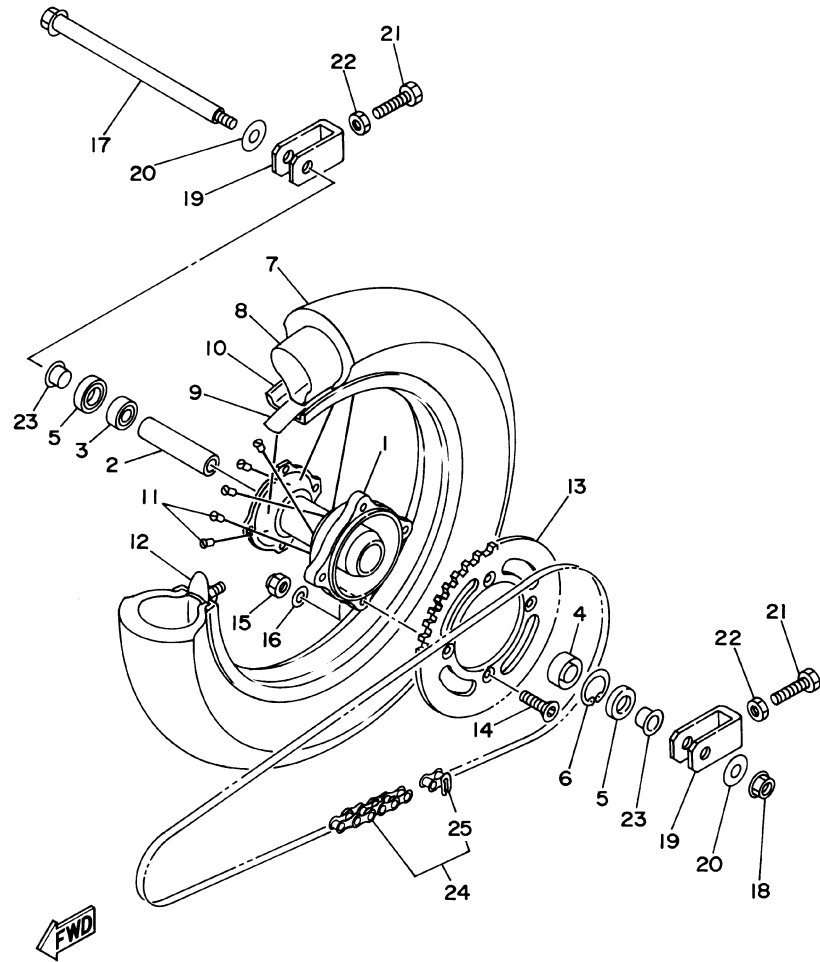
FIG. 25 FRONT BRAKE CALIPER



5PA1100-A250

REF. NO.	PART NO.	DESCRIPTION	5PA1	5PA3	5SH1	5SH3	REMARKS
1	5PA-2582T-00	DISC, BRAKE	1	1	1	1	
2	90149-06327	SCREW	3	3	3	3	
3	5PA-2580T-00	CALIPER ASSY (LEFT)	1	1	1	1	
4	4ES-W0057-10	.PISTON ASSY, CALIPER	1	1	1	1	
5	4ES-W0047-10	..CALIPER SEAL KIT	1	1	1	1	
6	5R2-25937-00	.BOOT 2	1	1	1	1	
7	56A-25937-00	.BOOT 2	1	1	1	1	
8	51L-W0048-00	.BLEED SCREW KIT	1	1	1	1	
9	56A-25919-00	.SUPPORT, PAD	1	1	1	1	
10	56A-25919-10	.SUPPORT, PAD	1	1	1	1	
11	5PA-W0045-00	.BRAKE PAD KIT	1	1	1	1	
12	56A-25926-00	.BOLT	1	1	1	1	
13	90105-08211	BOLT, FLANGE	2	2	2	2	

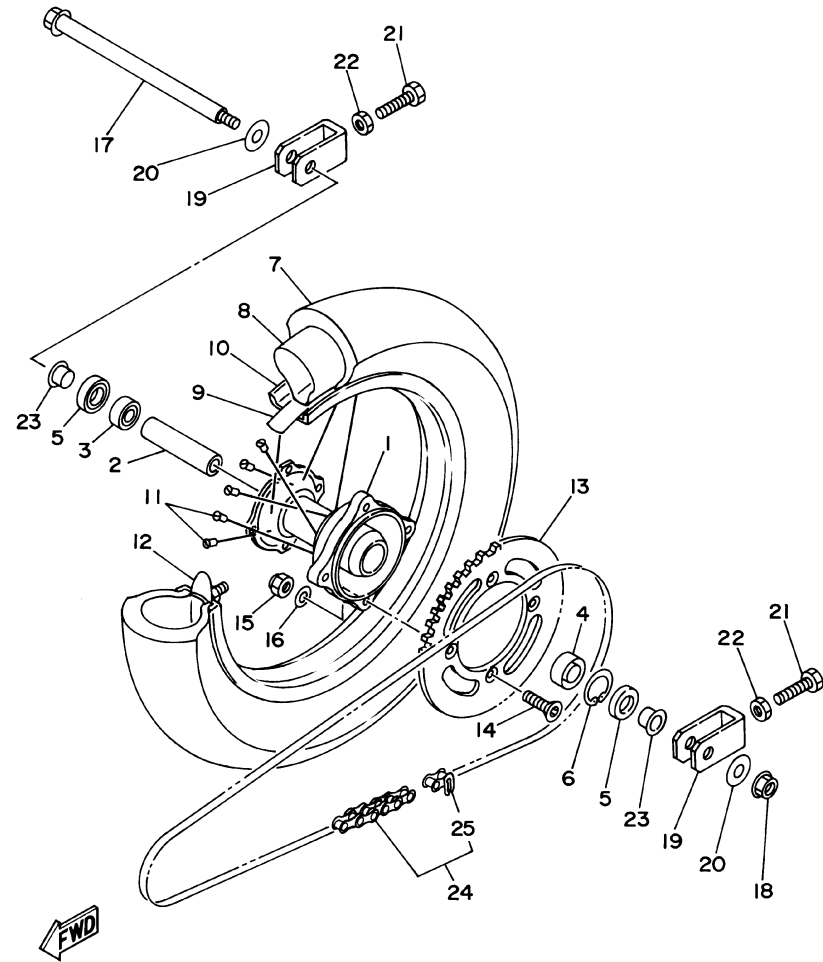
FIG. 26 REAR WHEEL



4ES1100-3260

REF. NO.	PART NO.	DESCRIPTION	5PA1	5PA3	5SH1	5SH3	REMARKS
1	4ES-25311-00	HUB, REAR	1	1	1	1	
2	4ES-25383-00	COLLAR, WHEEL	1	1	1	1	
3	93306-00203	BEARING (B6002)	1	1	1	1	
4	93306-20203	BEARING (B6202RS)	1	1	1	1	
5	93102-20009	OIL SEAL	2	2	2	2	
6	99009-35500	CIRCLIP	1	1	1	1	
7	94109-14009	TYRE (90/100-14 D739)	1	1			DUNLOP FOR USA, SWE,ZAF
	94109-14011	TYRE (90/100-14 D756)	1				DUNLOP
	94109-16009	TYRE (90/100-16 D756)				1	DUNLOP
	94109-16011	TYRE (90/100-16 D739)			1		DUNLOP
8	94208-14285	TUBE (80-90/100-14 TR4)	1	1			DUNLOP
	94209-16291	TUBE (90/100-16 TR-4)			1	1	DUNLOP
9	94307-16171	BAND, RIM (70-90/100-16)			1	1	DUNLOP
	94308-14165	BAND, RIM (80-90/100-14)	1	1			DUNLOP
10	94416-14529	RIM (1.60-14)	1	1			
	94418-16522	RIM (1.85-16)			1	1	
11	4ES-25304-20	SPOKE SET, REAR	1	1			
	4LB-25304-00	SPOKE SET, REAR			1	1	
12	1T2-25394-00	SPACER, BEAD			1	1	
	5X2-25394-00	SPACER, BEAD	1	1			
13	4ES-25447-20	SPROCKET, DRIVEN (47T)	1	1			STD FOR USA,SWE, ZAF
	5PA-25448-00	SPROCKET, DRIVEN (48T)	1				STD
	5PA-25446-00	SPROCKET, DRIVEN (46T)	1	1			AP
	4ES-25447-20	SPROCKET, DRIVEN (47T)	1				AP
	5PA-25448-00	SPROCKET, DRIVEN (48T)	1	1			AP
	5PA-25449-00	SPROCKET, DRIVEN (49T)	1				AP
	5PA-25452-00	SPROCKET, DRIVEN (52T)			1	1	STD

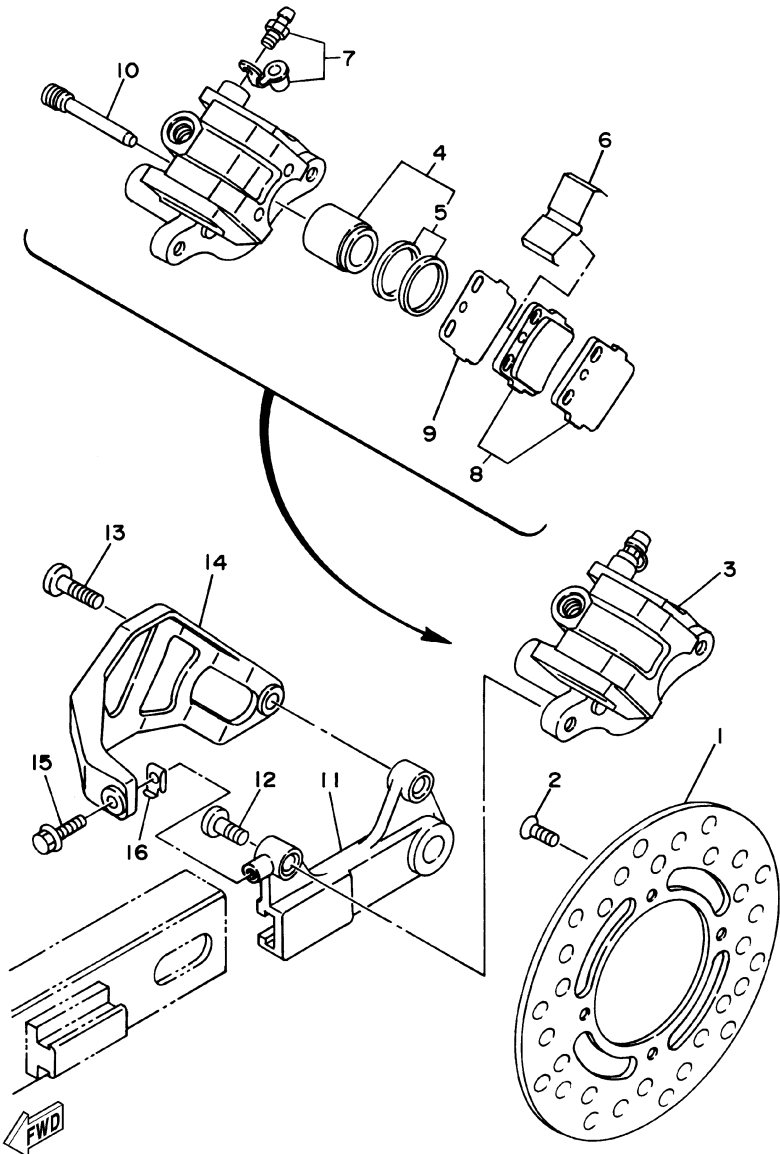
FIG. 26 REAR WHEEL



4ES1100-3260

REF. NO.	PART NO.	DESCRIPTION	5PA1	5PA3	5SH1	5SH3	REMARKS
13	5PA-25451-00	SPROCKET, DRIVEN (51T)			1	1	AP
	5PA-25453-00	SPROCKET, DRIVEN (53T)			1	1	AP
14	90109-081G2	BOLT	4	4	4	4	
15	90185-08169	NUT, SELF-LOCKING	4	4	4	4	
16	90201-086P8	WASHER, PLATE	4	4	4	4	
17	4ES-25381-01	AXLE, WHEEL	1	1	1	1	
18	90185-14142	NUT, SELF-LOCKING	1	1	1	1	
19	4ES-25388-00	PULLER, CHAIN 1	2	2	2	2	
20	90201-152L7	WASHER, PLATE	2	2	2	2	
21	90101-08475	BOLT	2	2	2	2	
22	95307-08700	NUT	2	2	2	2	
23	4ES-25383-10	COLLAR, WHEEL	2	2	2	2	
24	9Y582-00117	CHAIN (DID4280S 118LL)	1	1			STD
	9Y582-00121	CHAIN (DID4280S 122LL)			1	1	STD
	94582-00124	CHAIN (DID4280S 124LL)			1	1	AP
25	94682-00001	.JOINT, CHAIN	1	1	1	1	

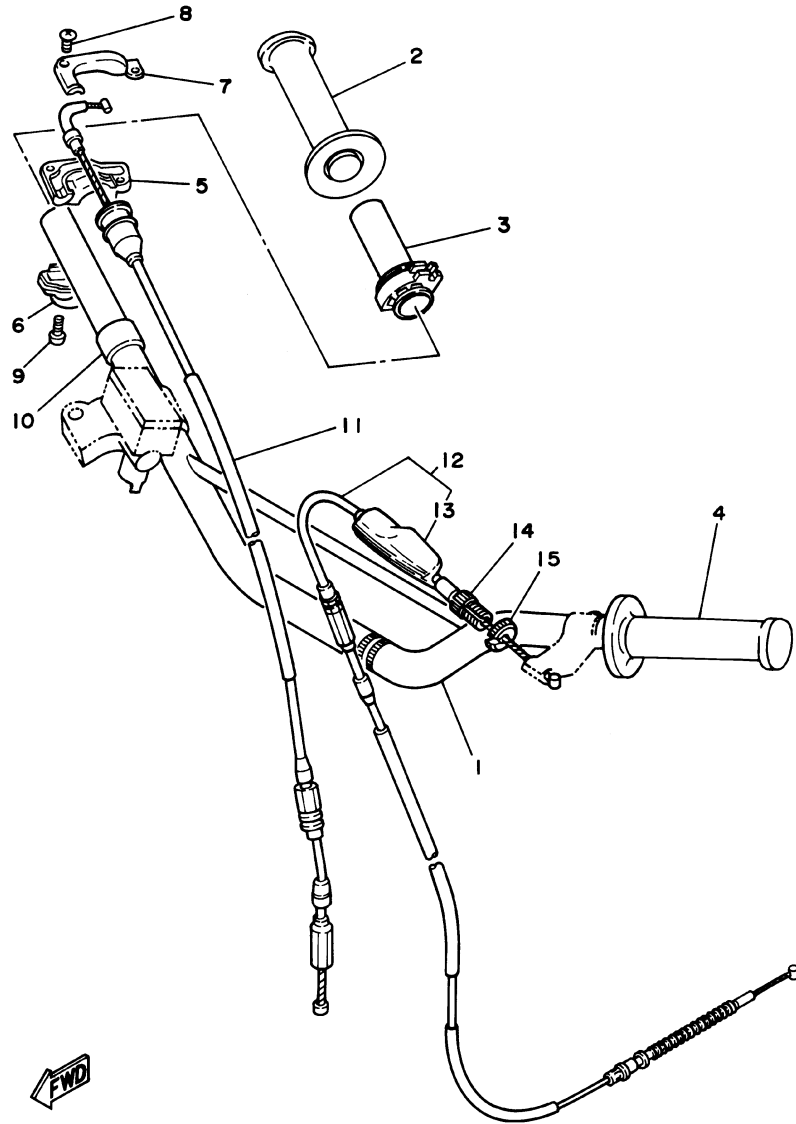
FIG. 27 REAR BRAKE CALIPER



5PA1100-A270

REF. NO.	PART NO.	DESCRIPTION	5PA1	5PA3	5SH1	5SH3	REMARKS
1	5PA-2582W-00	DISC, REAR BRAKE 2	1	1	1	1	
2	90149-06327	SCREW	4	4	4	4	
3	5PA-2580W-00	CALIPER ASSY, REAR 2	1	1	1	1	
4	4EW-W0057-50	.PISTON ASSY, CALIPER	1	1	1	1	
5	4ES-W0047-00	..CALIPER SEAL KIT	1	1	1	1	
6	1UY-25919-51	.SUPPORT, PAD	1	1	1	1	
7	1UY-W0048-50	.BLEED SCREW KIT	1	1	1	1	
8	5PA-W0046-50	.BRAKE PAD KIT 2	1	1	1	1	
9	3GD-25827-00	.SHIM, CALIPER	1	1	1	1	
10	3GD-25933-00	.PIN, PAD	2	2	2	2	
11	4ES-25920-00	SUPT. BRKT. ASSY.	1	1	1	1	
12	90110-08096	BOLT, HEXAGON SOCKET HEAD	1	1	1	1	
13	90109-08718	BOLT	1	1	1	1	
14	4ES-27491-00	PROTECTOR	1	1	1	1	
15	95027-06012	BOLT, FLANGE	1	1	1	1	
16	4ES-27114-00	STOPPER, MAIN STAND	1	1	1	1	

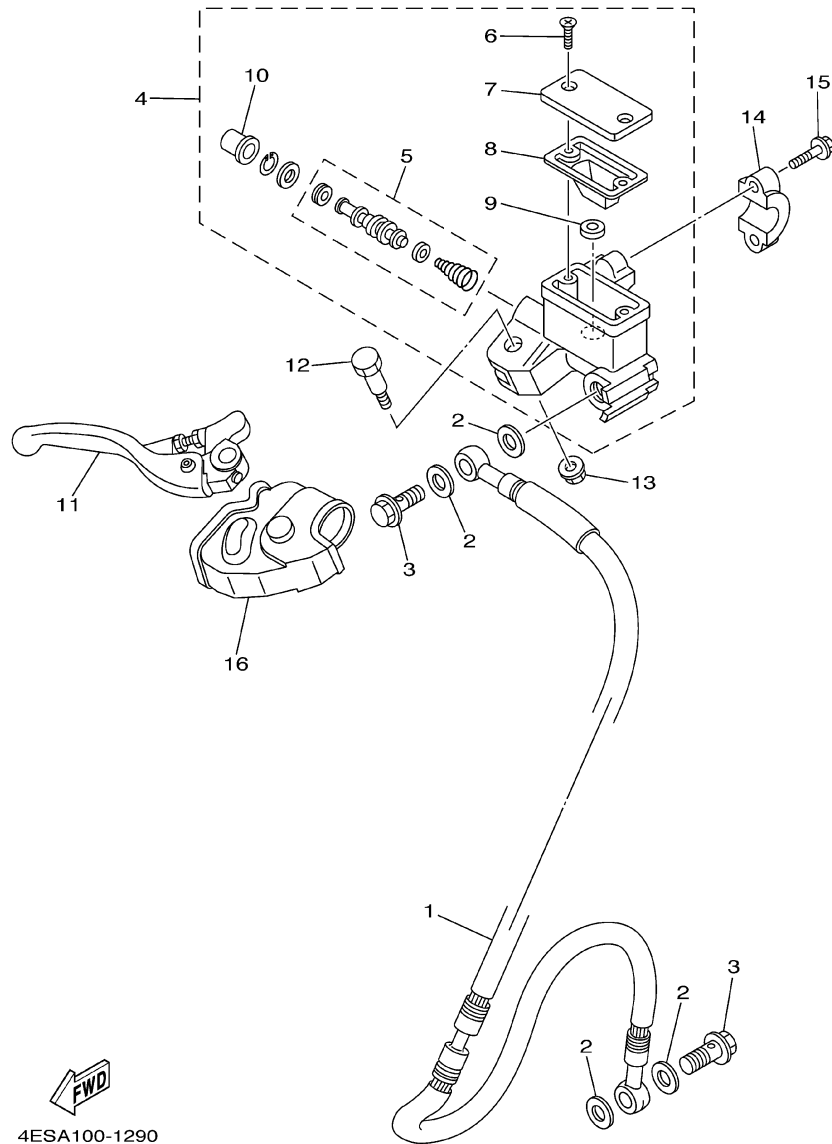
FIG. 28 STEERING HANDLE. CABLE



REF. NO.	PART NO.	DESCRIPTION	5PA1	5PA3	5SH1	5SH3	REMARKS
1	5PA-26111-00	HANDLEBAR	1	1	1	1	
2	4GY-26242-00	GRIP (RIGHT)	1	1	1	1	
3	22W-26243-00	TUBE, THROTTLE GUIDE	1	1	1	1	
4	4GY-26241-00	GRIP	1	1	1	1	
5	5X2-26281-00	CAP, GRIP UPPER	1	1	1	1	
6	322-26282-00	CAP, GRIP LOWER	1	1	1	1	
7	5X2-2628H-01	CAP, WIRE	1	1	1	1	
8	98707-04012	SCREW, FLAT HEAD	2	2	2	2	
9	98507-05016	SCREW, PAN HEAD	2	2	2	2	
10	90387-227H7	COLLAR	1	1	1	1	
11	5PA-26311-00	CABLE, THROTTLE 1	1	1	1	1	
12	4ES-26335-11	CABLE, CLUTCH	1	1	1	1	
13	498-26372-00	.COVER, HANDLE LEVER 1	1	1	1	1	
14	90123-08046	BOLT	1	1	1	1	
15	90179-08148	NUT	1	1	1	1	

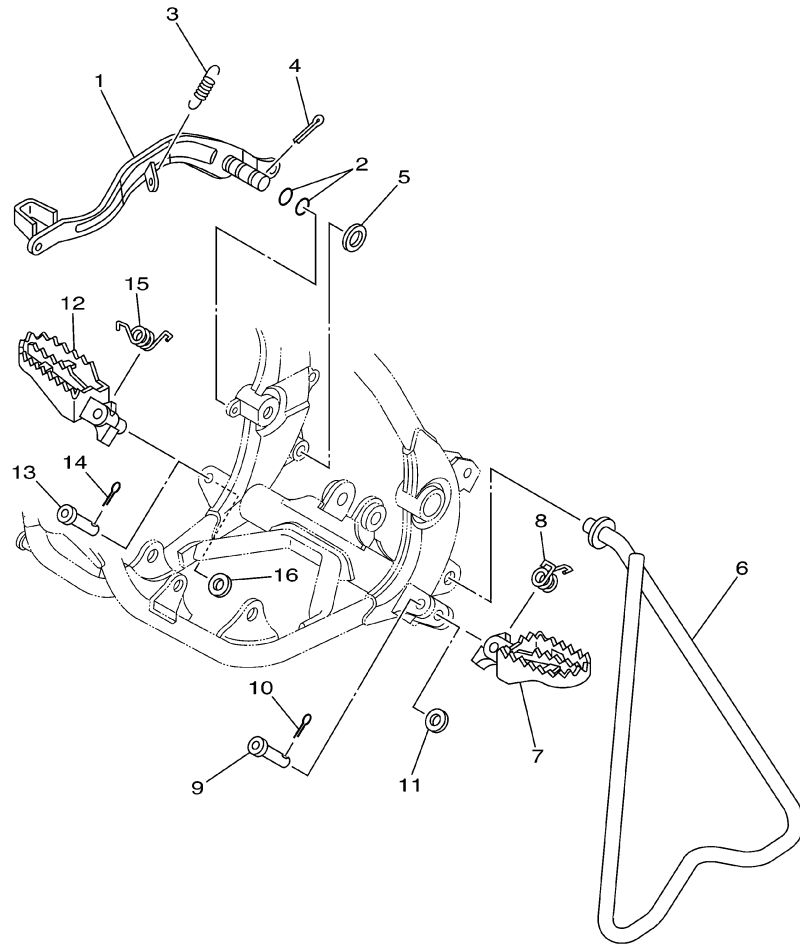

4ES6100-7280

FIG. 29 FRONT MASTER CYLINDER



REF. NO.	PART NO.	DESCRIPTION	5PA1	5PA3	5SH1	5SH3	REMARKS
1	4ES-25872-10	HOSE, BRAKE 1	1	1			
	5SH-25872-00	HOSE, BRAKE 1			1	1	
2	90201-10118	WASHER, PLATE	4	4	4	4	
3	90401-10168	BOLT, UNION	2	2	2	2	
4	5NY-W2587-00	MASTER CYLINDER SUB ASSY	1	1	1	1	
5	5NY-W0041-00	.CYLINDER KIT, MASTER	1	1	1	1	
6	98706-04012	.SCREW, FLAT HEAD	2	2	2	2	
7	5MV-25852-00	.CAP, RESERVOIR	1	1	1	1	
8	56A-25854-00	.DIAPHRAGM, RESERVOIR	1	1	1	1	
9	8CR-25715-00	.SEPARATOR ASSY	1	1	1	1	
10	5NY-25868-00	.BOOT, MASTER CYLINDER	1	1	1	1	
11	5MV-83922-00	LEVER 2	1	1	1	1	
12	5MV-2589F-00	BOLT, LEVER	1	1	1	1	
13	95701-06500	NUT, FLANGE	1	1	1	1	
14	5MV-25867-00	BRACKET, MASTER CYLINDER	1	1	1	1	
15	5MV-25833-00	BOLT, FITTING	2	2	2	2	
16	5NY-26372-00	COVER, HANDLE LEVER 1	1	1	1	1	

FIG. 30 STAND, FOOTREST

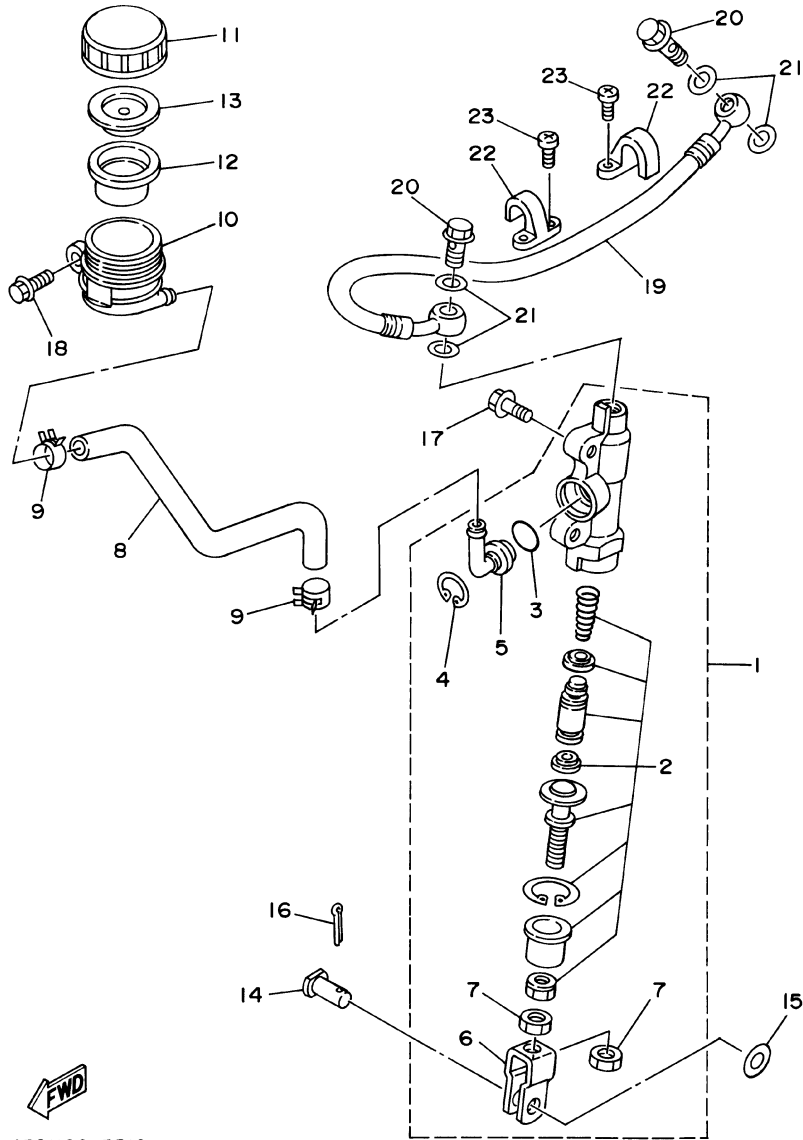


REF. NO.	PART NO.	DESCRIPTION	5PA1	5PA3	5SH1	5SH3	REMARKS
1	5PA-27211-00	PEDAL, BRAKE	1	1	1	1	
2	93210-11073	O-RING	2	2	2	2	
3	90506-15480	SPRING, TENSION	1	1	1	1	
4	91401-20025	PIN, COTTER	1	1	1	1	
5	90201-15700	WASHER, PLATE	1	1	1	1	
6	4ES-27311-00	STAND, SIDE	1	1			
	4LB-27311-00	STAND, SIDE			1	1	
7	5ET-27411-00	FOOTREST 1	1	1	1	1	
8	90508-282B8	SPRING, TORSION	1	1	1	1	
9	90240-10142	PIN, CLEVIS	1	1	1	1	
10	91401-25015	PIN, COTTER	1	1	1	1	
11	90201-10119	WASHER, PLATE	1	1	1	1	
12	5ET-27421-00	FOOTREST 2	1	1	1	1	
13	90240-10142	PIN, CLEVIS	1	1	1	1	
14	91401-25015	PIN, COTTER	1	1	1	1	
15	90508-282B9	SPRING, TORSION	1	1	1	1	
16	90201-10119	WASHER, PLATE	1	1	1	1	



5PA1100-A300

FIG. 31 REAR MASTER CYLINDER



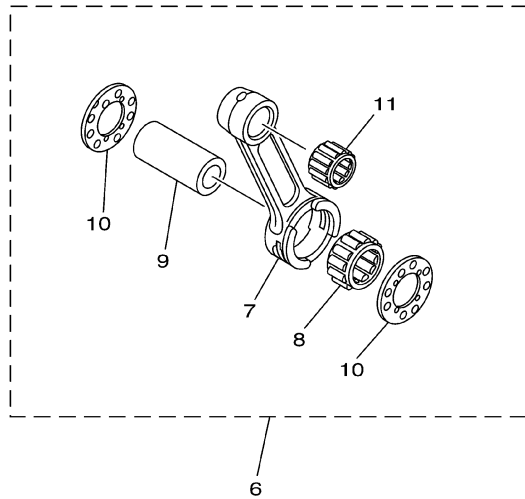
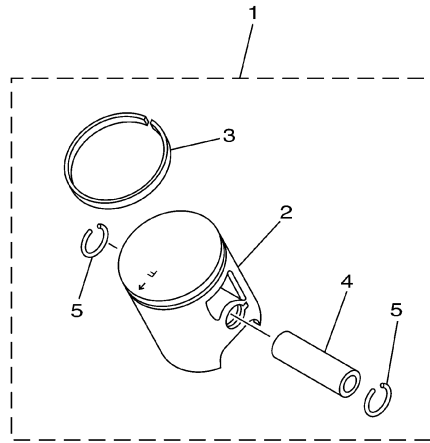
REF. NO.	PART NO.	DESCRIPTION	5PA1	5PA3	5SH1	5SH3	REMARKS
1	4ES-2583V-00	RR. MASTER CYLINDER ASSY.	1	1	1	1	
2	1FK-W0042-50	.CYLINDER KIT, MASTER	1	1	1	1	
3	93210-15620	.O-RING	1	1	1	1	
4	2VN-25866-00	.CIRCLIP	1	1	1	1	
5	2VN-2582A-50	.JOINT	1	1	1	1	
6	2YK-27222-00	.JOINT	1	1	1	1	
7	95307-08600	.NUT	2	2	2	2	
8	4ES-25895-00	HOSE, RESERVOIR	1	1	1	1	
9	90467-11044	CLIP	2	2	2	2	
10	4EW-25894-00	TANK, RESERVOIR	1	1	1	1	
11	3XP-25852-50	CAP, RESERVOIR	1	1	1	1	
12	2VN-25854-00	DIAPHRAGM, RESERVOIR	1	1	1	1	
13	2VN-25855-00	BUSH,DIAPHRAGM	1	1	1	1	
14	90240-08124	PIN, CLEVIS	1	1	1	1	
15	90201-08083	WASHER, PLATE	1	1	1	1	
16	91401-16012	PIN, COTTER	1	1	1	1	
17	95027-06016	BOLT, FLANGE	2	2	2	2	
18	95027-06012	BOLT, FLANGE	1	1	1	1	
19	4ES-25873-01	HOSE, BRAKE 2	1	1			
	4LB-25873-01	HOSE, BRAKE 2			1	1	
20	90401-10168	BOLT, UNION	2	2	2	2	
21	90201-10118	WASHER, PLATE	4	4	4	4	
22	2VM-25876-00	HOLDER, BRAKE HOSE 2	2	2	2	2	
23	97780-50510	SCREW, TAPPING	4	4	4	4	



4ES1100-3310

D9

FIG. 36 OPTIONAL PARTS 1



REF. NO.	PART NO.	DESCRIPTION	5PA1	5PA3	5SH1	5SH3	REMARKS
1	5PA-11630-00	PISTON ASSY (STD)	1	1	1	1	
2	5PA-11631-00-B0	.PISTON (STD)	1	1	1	1	
3	5PA-11611-00	.RING, PISTON	1	1	1	1	
4	4ES-11633-00	.PIN, PISTON	1	1	1	1	
5	93450-16115	.CIRCLIP	2	2	2	2	
6	4ES-11650-10	CONNECTING ROD ASSY	1	1	1	1	
7	4ES-11651-10	.ROD, CONNECTING	1	1	1	1	
8	93310-420B1	.BEARING	1	1	1	1	
9	2RA-11681-00	.PIN, CRANK 1	1	1	1	1	
10	90209-20159	.WASHER	2	2	2	2	
11	93310-21417	.BEARING	1	1	1	1	



5PA1100-A360

NUMERICAL INDEX

PARTNO.	GRID NO.	PARTNO.	GRID NO.	PARTNO.	GRID NO.	PARTNO.	GRID NO.	PARTNO.	GRID NO.	PARTNO.	GRID NO.
5NY-W0041-00	D - 7	5PA-14105-00	B - 7	5PA-14985-00	B - 7	4ES-18513-01	C - 2	4ES-22212-J0	D - 13	5SH-2316A-00	C - 11
1FK-W0042-50	D - 9	4MX-14115-00	B - 7	5PA-15111-00	B - 10	4BA-18531-00	C - 2	4ES-22212-K0	C - 9		C - 12
5PA-W0045-00	D - 2	5PA-14126-00	B - 7	5PA-15121-00	B - 10	4BA-18535-00	C - 2		D - 13	5PA-23170-00	C - 11
5PA-W0046-50	D - 5	5PA-14131-00	B - 7	3Y1-15363-00	B - 11	4ES-18540-00	C - 2	4ES-22212-M0	D - 13		C - 12
4ES-W0047-00	D - 5	3TJ-14137-40	B - 8	4ES-15411-00	B - 11	5PA-21101-01-P0	C - 4	3JD-22214-00	C - 9	5PA-23171-00	C - 11
4ES-W0047-10	D - 2	5PA-14146-00	B - 8	5PA-15415-00	B - 11	5PA-21190-00-P0	C - 4	4ES-22214-00	C - 9	58T-23184-L0	C - 9
1UY-W0048-50	D - 5	5PA-14159-00	B - 7	5PA-15431-00	B - 11	5PA-21274-00	C - 4	4ES-22216-00	C - 9	4V4-23194-L0	C - 12
51L-W0048-00	D - 2	4JT-14171-00	B - 7	5PA-15451-00	B - 11	4ES-21511-20	C - 5	4ES-22251-00	C - 9	5PA-2331E-00	C - 12
4ES-W0057-10	D - 2	5PA-14194-00	B - 8	4ES-15461-00	B - 11	4XL-2153A-10	C - 12	3XJ-22475-00	C - 8	4ES-23318-00	C - 12
4EW-W0057-50	D - 5	4XL-14197-10	B - 7	5PA-15463-00	B - 11	4ES-2153E-01	C - 5	5PA-23102-00	C - 11	5PA-23340-00	C - 12
5NY-W2587-00	D - 7	5PA-14340-00	B - 7	5PA-15620-00	B - 12	5PA-21611-00	C - 5	5SH-23102-00	C - 11	5NY-23346-L0	C - 12
5PA-11111-00	B - 2	5PA-14392-00	B - 7	5PA-15621-00	B - 12	4ES-21642-00	C - 5	5PA-23103-00	C - 11	3XJ-23357-L0	C - 11
5PA-11311-00	B - 2	5PA-14411-00	B - 6	5PA-15641-00	B - 12	5PA-21711-00	C - 6	5SH-23103-00	C - 11		C - 12
4ES-11351-00	B - 2	5PA-14451-00	B - 6	5PA-15651-00	B - 12	5PH-2172A-10	C - 6	5PA-23110-00	C - 11	4DA-23389-00	C - 10
5PA-11400-00	B - 3	5PA-14453-00	B - 6	5PA-15660-00	B - 12	5PA-21721-00	C - 6	4ES-23111-10	C - 11		C - 10
5PA-11412-00	B - 3	5PA-14458-00	B - 6	4ES-15664-00	B - 12	5PA-2173E-01	C - 6		C - 12	1J7-23415-00	C - 10
5PA-11422-00	B - 3	5PA-14459-00	B - 6	5PA-16111-00	B - 13	5PA-2173F-01	C - 6	3JD-2312G-L0	C - 11	4ES-23435-00	C - 10
5PA-11611-00	B - 3	4ES-14462-00	B - 6	5PA-16150-00	B - 13	5PA-21731-00	C - 6		C - 12	3SF-23441-00	C - 10
	D - 14	676-14548-00	B - 7	5PA-16181-00	B - 13	1FK-21746-00	C - 6	5PA-23120-00	C - 11	4ES-23485-20	C - 10
5PA-11630-00	D - 14	4MX-14561-00	B - 7	21V-16321-00	B - 13	4ES-22110-01	C - 7	5PA-23125-00	C - 11	5PA-24110-00	C - 13
5PA-11631-00-A0	B - 3	5PA-14610-00	B - 9	4ES-16321-00	B - 13	5SH-22310-00	C - 7	5PA-23136-00	C - 11	4EW-2412F-00	C - 13
5PA-11631-00-B0	B - 3	17W-14615-00	B - 9	131-16324-00	B - 13	4ES-22129-00	C - 7	4ES-2314F-00	C - 12	24X-24144-00	C - 13
	D - 14	5PA-14642-00	B - 9	2TK-16351-00	B - 13	5PA-22151-00	C - 7	5PA-2314H-L0	C - 12	5PA-24182-00	C - 13
5PA-11631-00-C0	B - 3	4ES-1469A-00	B - 9	4ES-16356-00	B - 13	4ES-2217A-00	C - 7	5PA-2314J-L0	C - 12	5PA-24183-00	C - 13
5PA-11631-00-D0	B - 3	5PA-1469A-00	B - 9	5PA-16357-00	B - 13	4ES-2217F-00	C - 8	4ES-23141-40	C - 11	5PA-24240-00	C - 13
4ES-11633-00	B - 3	4ES-14753-20	B - 9	5PA-16371-00	B - 13	30X-22178-00	C - 4		C - 12	5PA-24244-00	C - 6
	D - 14	5PA-14753-00	B - 9	4ES-16381-00	B - 13	4ES-22178-00	C - 4		D - 13	5PA-24311-00	C - 13
4ES-11650-10	D - 14	565-14771-00	B - 9	4ES-17121-01	B - 14	4V4-22184-00	C - 4	4ES-23141-50	D - 13	3XJ-24380-00	C - 13
4ES-11651-10	B - 3	5PA-14916-KE	B - 7	4ES-17131-00	B - 14	39K-22199-00	C - 7	4ES-23141-60	D - 13	4DP-24500-00	C - 13
	D - 14	5PA-14916-KF	B - 7	4ES-17151-10	B - 14	5PA-22201-00	C - 9	4ES-23141-70	D - 13	4X8-24512-00	C - 13
2RA-11681-00	B - 3	5PA-14916-KG	B - 7	4ES-17161-10	B - 14	5PA-22201-10	C - 9	4LB-23141-10	C - 11	3AJ-24523-00	C - 13
	D - 14	5PA-14916-LE	B - 7	4ES-17211-01	B - 14	5PA-22201-20	C - 9		C - 12	3AJ-24534-00	C - 13
4BA-12422-00	B - 4	5PA-14916-LF	B - 7	5PA-17221-00	B - 14	5PA-22201-30	C - 9	4ES-23142-00	C - 11	5NY-24610-00	C - 13
4BA-12428-00	B - 4	5PA-14916-LG	B - 7	4ES-17231-10	B - 14	5PA-22201-40	C - 9		C - 12	5PA-2470F-00	C - 14
5PA-12451-00	B - 4	4MX-14919-00	B - 7	5PA-17241-00	B - 14	5SH-22201-00	C - 9	4ES-23144-00	C - 11	5PA-24718-00	C - 14
5PA-12459-00	B - 4	5HC-14922-00	B - 8	4ES-17251-00	B - 14	5SH-22201-20	C - 9		C - 12	5PA-24728-00	C - 14
5PA-12461-00	B - 5	5HC-14934-00	B - 8	5PA-17261-00	B - 14	5PA-22210-00	C - 9	4ES-23145-00	C - 11	5PA-24770-00	C - 14
5HD-12462-00	B - 5	4MX-14943-34	B - 8	5PA-17411-00	B - 14	5PA-22210-10	C - 9		C - 12	4ES-25104-20	C - 15
22W-12463-00	B - 5	4MX-14943-35	B - 8	5PA-17421-00	B - 14	5PA-22210-20	C - 9	5K5-23149-00	C - 11	4LB-25104-00	C - 15
4ES-12481-10	B - 5	4MX-14943-36	B - 8	164-17427-00-06	B - 14	5PA-22210-30	C - 9		C - 12	4ES-25111-00	C - 15
5PA-12482-00	B - 5	4MX-14943-84	B - 8	164-17427-00-08	B - 14	5PA-22210-40	C - 9	5PA-23149-00	C - 11	22W-25181-01	C - 7
353-13115-01	B - 10	4MX-14943-85	B - 8	164-17427-00-10	B - 14	5SH-22210-00	C - 9		C - 12	4ES-25181-00	C - 15
5PA-13565-00	B - 6	4MX-14943-86	B - 8	5PA-18101-00	C - 3	5SH-22210-20	C - 9	4A1-23156-00	C - 11	4ES-25183-10	C - 15
4ES-13610-00	B - 6	4MX-14943-87	B - 8	5PA-1811E-00	C - 3	4ES-22212-F0	C - 9		C - 12	1T1-25194-00	C - 15
4ES-13613-00	B - 6	4MX-14948-04	B - 7	2HF-18110-01	C - 3		D - 13	2HH-23158-L0	C - 11	4ES-25304-20	D - 3
4ES-13616-00	B - 6	4MX-14948-05	B - 7	5PA-18140-00	C - 3	4ES-22212-G0	D - 13		C - 12	4LB-25304-00	D - 3
5PA-1410E-00	B - 7	4MX-14948-06	B - 7	4ES-18511-02	C - 2	4ES-22212-H0	C - 9	5PA-2316A-00	C - 11	4ES-25311-00	D - 3
5PA-14101-00	B - 7	5PA-14984-00	B - 7	5R2-18512-00	C - 2		D - 13		C - 12	4ES-25381-01	D - 4

NUMERICAL INDEX

PARTNO.	GRID NO.	PARTNO.	GRID NO.	PARTNO.	GRID NO.	PARTNO.	GRID NO.	PARTNO.	GRID NO.	PARTNO.	GRID NO.
4ES-25383-00	D - 3	22W-26243-00	D - 6	90116-08394	B - 2	90201-12362	C - 15	90387-127J8	C - 7	93101-17062	C - 7
4ES-25383-10	D - 4	5X2-2628H-01	D - 6	90119-05001	B - 13	90201-124F8	B - 12	90387-202A0	B - 15		C - 8
4ES-25388-00	D - 4	5X2-26281-00	D - 6	90119-06001	C - 6	90201-124G9	C - 7	90387-20488	B - 13	93102-12106	C - 4
1T2-25394-00	D - 3	322-26282-00	D - 6	90119-06038	B - 5	90201-127J6	C - 8	90387-227H7	D - 6	93102-12224	B - 13
5X2-25394-00	D - 3	5PA-26311-00	D - 6	90119-06063	C - 5	90201-12749	C - 8	90401-10168	D - 7	93102-17263	B - 12
5PA-25446-00	D - 3	4ES-26335-11	D - 6	90119-06118	C - 4	90201-152L7	D - 4		D - 9	93102-20009	D - 3
4ES-25447-20	D - 3	498-26372-00	D - 6	90119-06185	C - 5	90201-15700	D - 8	90430-06166	B - 4	93102-20447	B - 3
5PA-25448-00	D - 3	5NY-26372-00	D - 7	90119-06190	C - 13	90201-171G6	B - 13	90430-08119	B - 11	93102-26042	B - 15
5PA-25449-00	D - 3	4ES-27114-00	D - 5	90119-06192	C - 5	90201-17545	B - 14	90445-08376	B - 10	93102-28009	B - 3
5PA-25451-00	D - 4	5PA-27211-00	D - 8	90119-06225	C - 6	90201-17558	B - 13	90445-09220	C - 13	93106-20031	C - 15
5PA-25452-00	D - 3	2YK-27222-00	D - 9	90122-06002	B - 6	90201-176L4	B - 12	90445-09300	C - 13	93109-11073	B - 4
5PA-25453-00	D - 4	4ES-27311-00	D - 8	90123-08046	D - 6	90201-177G4	C - 3	90450-25037	B - 5	93109-17071	C - 7
8CR-25715-00	D - 7	4LB-27311-00	D - 8	90149-06011	C - 13	90201-20611	B - 14	90450-28014	B - 5	93210-11073	D - 8
5PA-2580T-00	D - 2	5ET-27411-00	D - 8		D - 10	90201-256K5	C - 10	90450-99064	B - 6	93210-12152	B - 12
5PA-2580W-00	D - 5	5ET-27421-00	D - 8	90149-06327	D - 2	90201-33299	B - 9	90460-15126	D - 12	93210-15620	D - 9
2VN-2582A-50	D - 9	4ES-27491-00	D - 5		D - 5	90202-05193	C - 13	90460-41191	B - 6	93210-19123	B - 11
5PA-2582T-00	D - 2	5PA-82310-00	D - 12	90152-06010	B - 12	90208-12015	B - 13	90460-56105	B - 6	93210-56459	B - 2
5PA-2582W-00	D - 5	8DG-82370-00	D - 12	90157-05079	C - 10	90209-06096	B - 6	90461-10136	B - 10	93210-84724	B - 2
3GD-25827-00	D - 5	5PA-82509-00	D - 11	90157-06071	B - 14	90209-06187	C - 5	90464-13077	B - 5	93306-00105	B - 4
4ES-2583V-00	D - 9	38V-82911-00	D - 11	90159-06078	C - 6	90209-14008	B - 14		D - 10	93306-00203	D - 3
5MV-25833-00	D - 7	38V-82913-00	D - 11	90159-06182	C - 6	90209-16209	B - 14		D - 11	93306-20120	C - 15
3XP-25852-50	D - 9	4GY-83912-00	D - 11	90176-08026	B - 2	90209-20159	B - 3	90465-13275	C - 13	93306-20203	D - 3
5MV-25852-00	D - 7	5MV-83922-00	D - 7	90179-08148	D - 6		D - 14	90467-08002	B - 5	93306-20333	B - 14
2VN-25854-00	D - 9	22W-83976-00	D - 11	90179-08299	B - 2	90215-20261	B - 15	90467-09002	C - 13	93306-20401	B - 15
56A-25854-00	D - 7	5PA-85540-00	D - 12	90179-12659	B - 13	90240-08124	D - 9	90467-10008	C - 13	93306-20438	B - 3
2VN-25855-00	D - 9	5PA-85546-00	D - 12	90179-16226	B - 15	90240-10142	D - 8	90467-11044	D - 9	93306-30421	B - 3
2VN-25866-00	D - 9	4SS-85550-10	D - 10	90179-22412	C - 10	90250-06013	C - 2	90468-23194	B - 12	93310-21417	B - 3
5MV-25867-00	D - 7	5PA-85560-00	D - 10	90179-25033	C - 10	90267-48138	B - 6	90480-15528	B - 5		D - 14
5NY-25868-00	D - 7	9Y582-00117	D - 4	90183-06023	C - 5	90280-03017	B - 3	90480-16561	B - 9	93310-420B1	B - 3
4ES-25872-10	D - 7	9Y582-00121	D - 4	90185-08169	D - 4	90282-05001	B - 13	90480-18411	B - 9		D - 14
5SH-25872-00	D - 7	90101-08475	D - 4	90185-10110	C - 9	90336-06031	B - 12	90480-18549	C - 13	93315-11206	B - 13
4ES-25873-01	D - 9	90101-12755	C - 8	90185-12046	C - 15	90338-10150	C - 8	90501-12081	B - 12	93315-21455	C - 7
4LB-25873-01	D - 9	90105-08211	D - 2	90185-12119	C - 8	90380-10218	C - 7	90501-20735	B - 13	93315-31502	B - 14
2VM-25876-00	D - 9	90105-08310	C - 7	90185-14142	D - 4	90380-12219	C - 7	90506-15480	D - 8	93317-11245	B - 14
5MV-2589F-00	D - 7	90105-10052	C - 4	90201-043H7	B - 6	90381-12091	C - 8	90507-20052	B - 9	93317-21746	C - 7
4EW-25894-00	D - 9	90105-10582	C - 7	90201-060A3	B - 9	90385-17042	C - 7	90508-24007	C - 3	93317-31771	C - 7
4ES-25895-00	D - 9	90105-10614	C - 9	90201-06060	B - 12	90387-060A3	C - 4	90508-26750	B - 12		C - 8
1UY-25919-51	D - 5	90105-10731	C - 4		B - 14	90387-06027	C - 13	90508-282B8	D - 8	93332-00079	C - 10
56A-25919-00	D - 2	90105-12382	C - 7	90201-080L8	B - 2	90387-0614M	B - 5	90508-282B9	D - 8	93399-99921	C - 8
56A-25919-10	D - 2	90109-065F3	B - 6	90201-08083	D - 9	90387-062X0	C - 7	90508-32016	C - 3	93410-20038	B - 14
4ES-25920-00	D - 5	90109-06799	D - 11	90201-081R9	C - 4	90387-063G3	B - 9	91401-16012	D - 9	93440-07182	B - 4
56A-25926-00	D - 2	90109-081G2	D - 4	90201-08512	B - 4	90387-064X4	C - 5	91401-20025	D - 8	93440-15012	B - 14
3GD-25933-00	D - 5	90109-08718	D - 5	90201-086P8	D - 4	90387-0701A	C - 5	91401-25015	D - 8	93440-17064	B - 14
5R2-25937-00	D - 2	90109-10729	C - 9	90201-10118	D - 7	90387-103X9	C - 8	92903-04600	B - 7	93440-30113	C - 8
56A-25937-00	D - 2	90110-08096	C - 4		D - 9	90387-105L0	B - 9		B - 8	93450-16115	B - 3
5PA-26111-00	D - 6		D - 5	90201-10119	D - 8	90387-1200U	C - 7	92907-03100	B - 6		D - 14
4GY-26241-00	D - 6	90116-08318	B - 2	90201-10591	D - 10	90387-124H0	C - 15	92907-10600	C - 9	93503-16003	B - 13
4GY-26242-00	D - 6	90116-08388	B - 2	90201-112U6	C - 9	90387-127J7	C - 7	93101-12173	C - 3	93507-32009	B - 12

NUMERICAL INDEX

PARTNO.	GRID NO.	PARTNO.	GRID NO.	PARTNO.	GRID NO.	PARTNO.	GRID NO.	PARTNO.	GRID NO.	PARTNO.	GRID NO.
9382A-14227	B - 15	95027-08080	B - 11								
9382A-15228	B - 15	95307-08600	D - 9								
94107-17009	C - 15	95307-08700	D - 4								
94107-17011	C - 15	95317-10600	D - 10								
94107-19009	C - 15	95607-06100	D - 11								
94107-19011	C - 15	95607-08200	C - 7								
94109-14009	D - 3	95607-10200	C - 4								
94109-14011	D - 3		C - 7								
94109-16009	D - 3	95607-12200	C - 8								
94109-16011	D - 3	95617-12100	C - 7								
94207-17284	C - 15	95701-06500	D - 7								
94207-19290	C - 15	95807-08035	C - 10								
94208-14285	D - 3	95817-08125	C - 4								
94209-16291	D - 3	95827-06010	B - 5								
94307-16171	D - 3	95827-06060	B - 4								
94307-17166	C - 15	97007-05016	D - 11								
94307-19170	C - 15	97027-06020	C - 3								
94308-14165	D - 3	97780-50510	D - 9								
94414-17530	C - 15	97801-03008	C - 13								
94414-19521	C - 15	98504-04012	B - 8								
94416-14529	D - 3	98504-04014	B - 7								
94418-16522	D - 3	98507-03008	B - 6								
94582-00124	D - 4	98507-05016	D - 6								
94682-00001	D - 4	98507-06030	B - 11								
94702-00368	B - 2	98507-06040	B - 10								
94709-00368	B - 2	98507-06050	B - 10								
95024-06010	C - 12	98507-06060	B - 10								
95027-06012	B - 9	98507-06070	B - 10								
	B - 12	98706-04012	D - 7								
	C - 4	98707-04012	D - 6								
	C - 10	98707-06025	C - 13								
	C - 14	99009-10400	C - 2								
	D - 5	99009-12400	B - 12								
	D - 9	99009-17400	C - 3								
95027-06014	C - 7	99009-35500	D - 3								
95027-06016	C - 12	99244-00140	C - 8								
	C - 13	99530-08016	B - 11								
	D - 9	99530-10014	B - 10								
	D - 12		B - 11								
95027-06020	B - 6	99590-10114	B - 2								
95027-06025	B - 4										
	B - 9										
	B - 11										
95027-06030	B - 11										
95027-06035	B - 11										
95027-06040	B - 11										
95027-08012	C - 4										
95027-08030	C - 10										

CONTENTS

ENGINE

CYLINDER	B2
CRANKSHAFT. PISTON	B3
WATER PUMP	B4
RADIATOR. HOSE	B5
INTAKE	B6
CARBURETOR	B7
EXHAUST	B9
CRANKCASE	B10
CRANKCASE COVER 1	B11
STARTER	B12
CLUTCH	B13
TRANSMISSION	B14
SHIFT CAM. FORK	C2
SHIFT SHAFT	C3

CHASSIS

FRAME	C4
FENDER	C5
SIDE COVER	C6
REAR ARM	C7
REAR SUSPENSION	C9
STEERING	C10
FRONT FORK	C11
FUEL TANK	C13
SEAT	C14
FRONT WHEEL	C15
FRONT BRAKE CALIPER	D2
REAR WHEEL	D3
REAR BRAKE CALIPER	D5

STEERING HANDLE. CABLE	D6
FRONT MASTER CYLINDER	D7
STAND. FOOTREST	D8
REAR MASTER CYLINDER	D9
GENERATOR	D10
HANDLE SWITCH. LEVER	D11
ELECTRICAL 1	D12
ALTERNATE (CHASSIS)	D13
OPTIONAL PARTS 1	D14

INDEX

NUMERICAL INDEX	M1
-----------------------	----